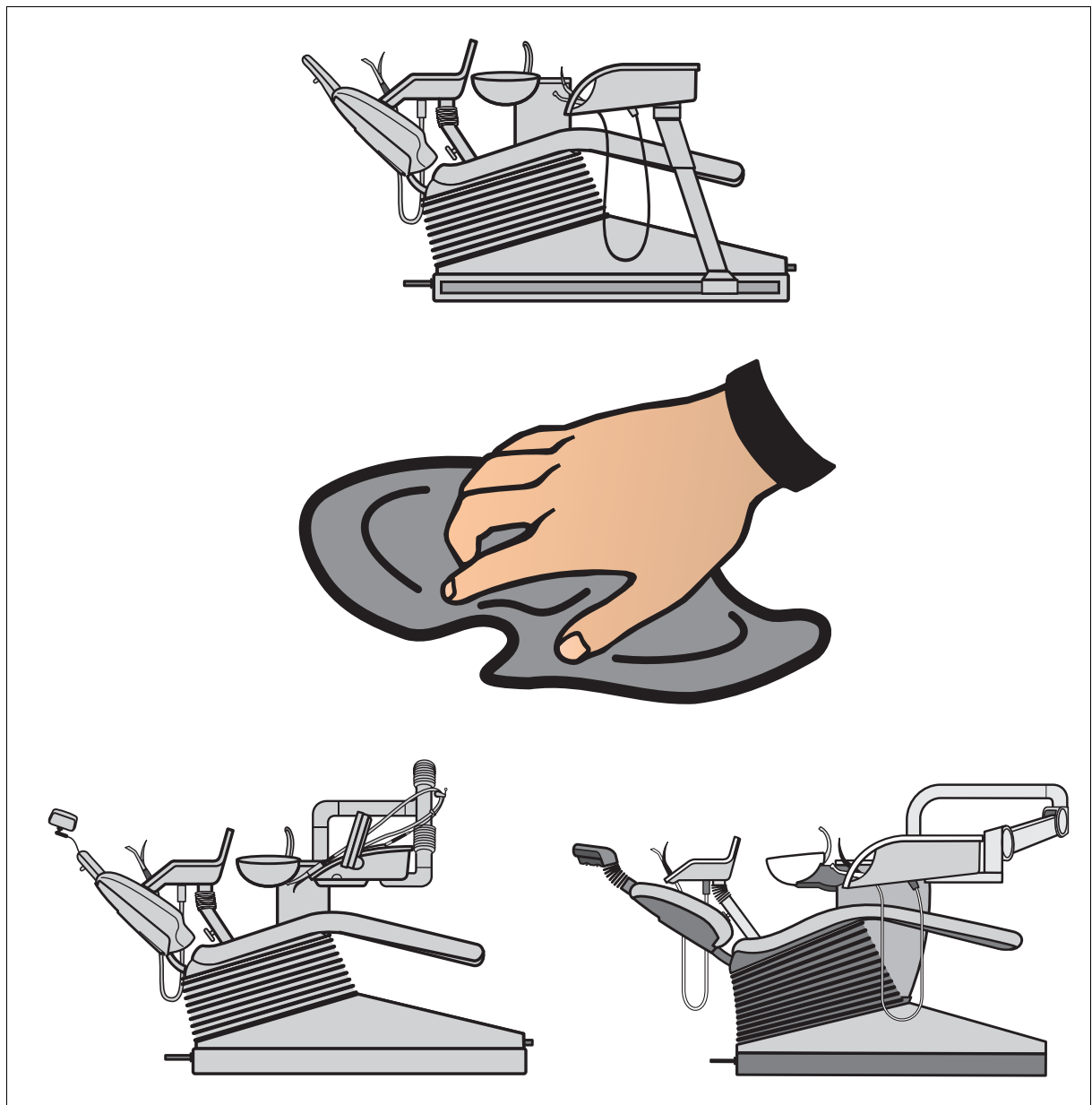


C3⁺, C4⁺, C5⁺, C5⁺ Turn

Care and cleaning instructions for the practice team

English



General information

Care and cleaning instructions for the practice team

Dear user,
To maintain the value and safe functioning of your treatment center it is necessary to care for, clean and disinfect it regularly.

The work steps you have to perform are described in this document.

Hygiene and disinfection

The national requirements and recommendations for hygiene and disinfection must be observed (e.g. RKI, ADA, CDC etc).

Care and cleaning agents

CAUTION

Use only cleaning and care agents which are approved by SIRONA!

You will find a list of all agents approved at the time of delivery in the documentation folder supplied with your treatment center.

A continuously updated list of approved agents can be downloaded from the Sirona Internet homepage under **REF 59 70 905** : ⇒ **www.sirona.com**

If you do not have Internet access, you can use one of the following two ways to order the list:

- Order from your local dental depot
- Order from Sirona
Tel: ++49 (0) 62 51/16-16 16
FAX: ++49 (0) 62 51 / 16-18 18

Maintenance of the treatment center by the service engineer

Despite the outstanding quality of your treatment center and the regular care performed by the practice team, inspections and maintenance by the service engineer are required at scheduled intervals to ensure its operational reliability and safety.

Please refer to your operating instructions for details.

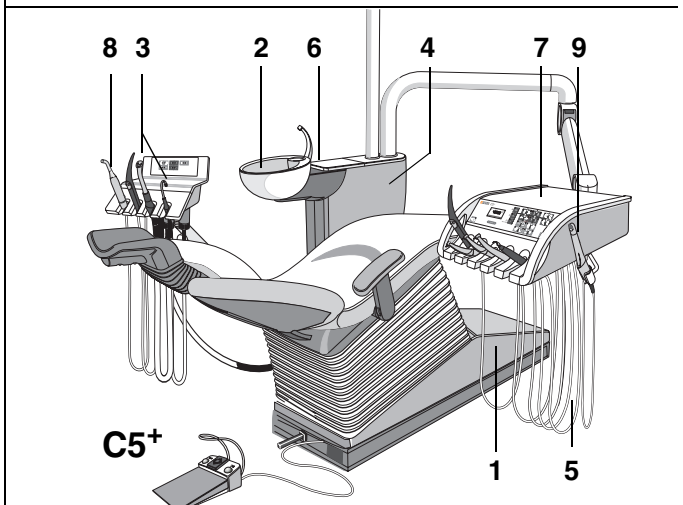
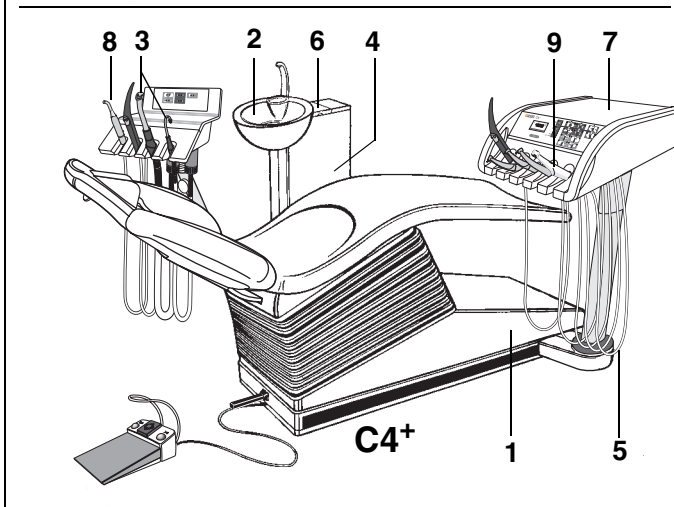
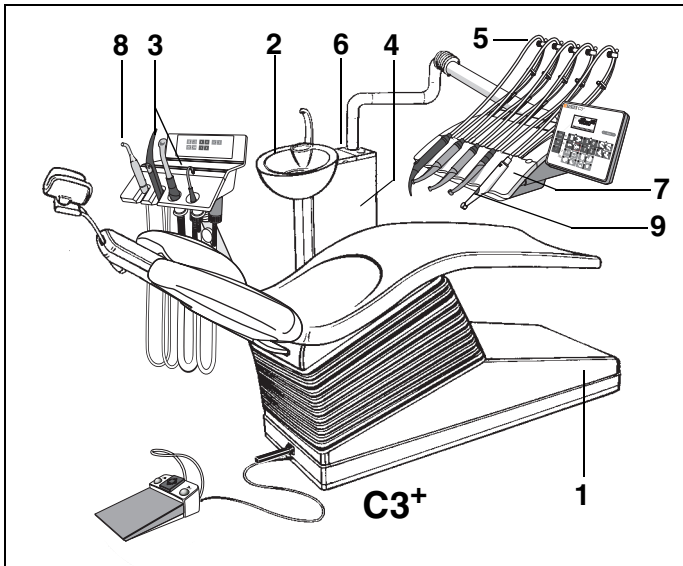
Your C3⁺, C4⁺, C5⁺, C5⁺ Turn Team



Contents

1	Connection box	5
2	Cuspidor.....	6
3	Vacuum system	7
	3.1 Care	7
	3.2 Disinfection with a dry suction system	7
	3.3 Disinfection with a wet suction system.....	8
	3.4 Suction handpieces.....	9
	3.5 Cleaning the suction hoses.....	10
	3.6 Thermodisinfecting the suction hoses.....	11
4	Amalgam separation	12
	4.1 Replacing the amalgam separator	12
	4.2 Cleaning the siphon	13
5	Instrument hoses	14
	5.1 Removal/Replacement of instrument hoses	14
	5.2 Checking the flow rate of the SPRAYVIT L.....	15
	5.3 Highspeed handpiece hose	15
6	Disinfection system	17
	6.1 Microbiological water test.....	17
	6.2 Purge/Auto Purge function (purging the water paths).....	18
	6.3 Sanitation	21
7	Surfaces / O-rings	27
8	Satelec Mini L.E.D. curing light	32
	8.1 Care and cleaning of the handpiece and the connecting cable	32
	8.2 Care and cleaning of the light guide and the glare shield	32
9	SIROCAM 3 / SIROCAM C video camera and monitor	33
	9.1 Care and cleaning of the SIROCAM 3	33
	9.2 Care and cleaning of the SIROCAM C	34
	9.3 Care and cleaning of the monitor	34
10	Checking the safety switches	35

Overview



The numbers indicated in the overview correspond to the chapter numbers in the table of contents.

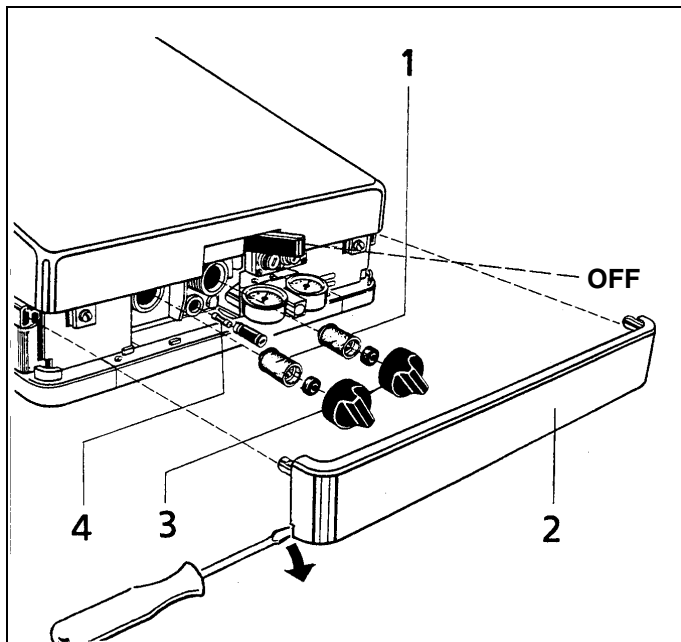
Thus you can easily find the work to be performed in this document.

- 1 Connection box**
- 2 Cuspidor**
- 3 Vacuum system**
- 4 Amalgam separation**
- 5 Instrument hoses**
- 6 Disinfection system**
- 7 Surfaces**
- 8 Satelec Mini curing light L.E.D**
- 9 SIROCAM 3 / SIROCAM C / SIVISION 3 video camera**
- 10 Checking the safety switches**

For care and maintenance of the following products, please refer to the relevant operating instructions supplied:

- **SPRAYVIT** syringe
- **T1 CLASSIC, T1 LINE** and **T1 TITAN** straight and contra-angle handpieces
- **Electric motors**
- **Highspeed handpieces**
- **SIROSONIC L** scaler
- **SIROCAM 3** video camera
- **SIROLUX FANTASTIC** operation light

1 Connection box



Replacing the water and air filters

If you notice any changes in media flows, please check the water and air filters (1) for permeability. Replace them if necessary.

- Switch the main switch **OFF**.
- Pry off cover **2** with a screwdriver.
- Remove screw caps **3** and replace filters **1**.

For reorders:

Filters: Order No. 14 43 436

Main fuse

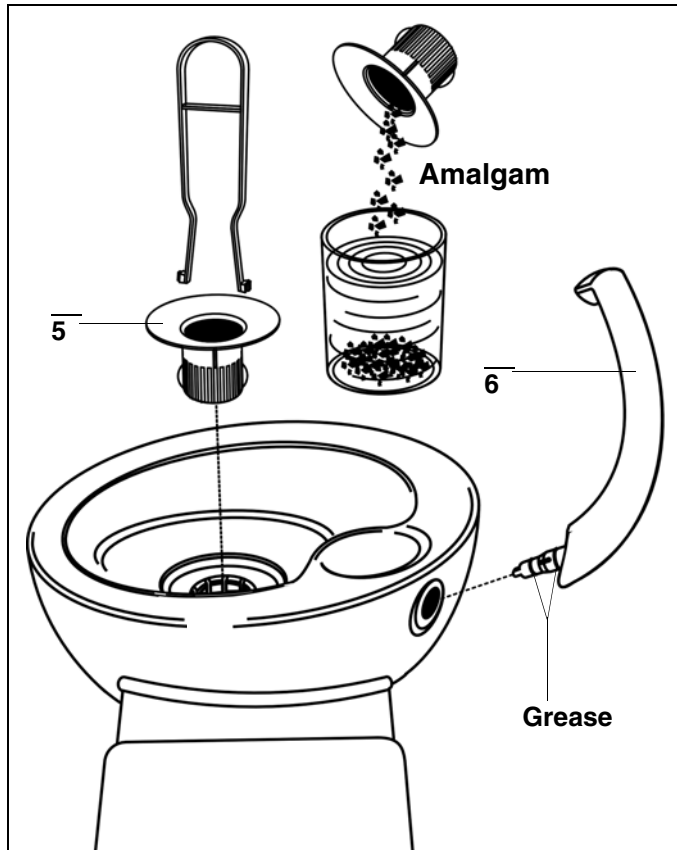
The **main fuse** (4) is located below the air filter.

For reorders:

Unit main fuse for 230 VAC: T 6.3AH, 250VAC, Order No. 10 77 452

Unit main fuse for 100 VAC/115 VAC: T 10AH, 250VAC, Order No. 10 77 460

2 Cuspidor



After each patient

Clean the cuspidor.

⚠ CAUTION

Use only cleaning agents which have been approved by Sirona (see page 2, General information)!

⚠ CAUTION

Do not use any domestic cleaning and care agents. Foaming domestic cleaning agents lead to foam and water being drawn into the dry suction system, resulting in damage to the suction machine.

Daily during the noon break and at the end of each workday

Remove the gold trap (5) and clean it.

Store the amalgam residues under water in a separate, closed container. When replacing the amalgam rotor (see page 12), put the residues into the rotor for disposal.

After the cleaning process, fill at least 1 liter of water into the cuspidor for flushing.

⚠ CAUTION

Do not dispose of amalgam residues caught in the gold trap in the cuspidor or the sink!

Weekly

Pull out the tumbler outlet (6) or the hydrocolloid adapter, if applicable, and clean it.

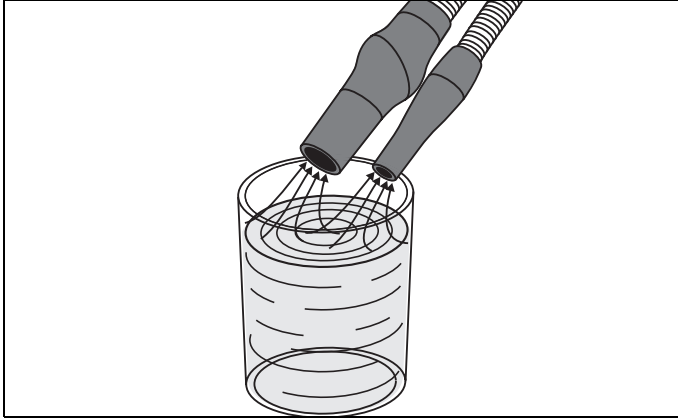
Before refitting the tumbler outlet or the hydrocolloid adapter, lightly lubricate the O-rings.

⚠ CAUTION

Use only lubricants which have been approved by Sirona (see page 2, General information)!

3 Vacuum system

3.1 Care

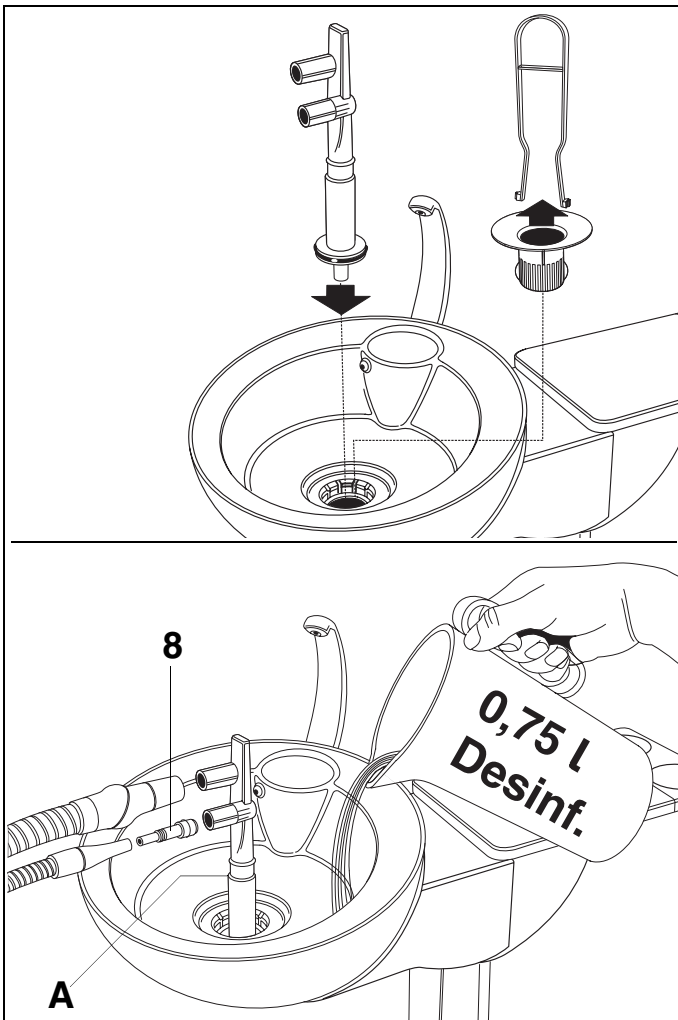


After each patient

To ensure that the **vacuum system** is always ready for use, you must aspirate a large glass of cold, clear water through the suction hoses used **after each patient**, especially after each intervention during which the patient loses blood and after using hydrogen peroxide (H₂O₂).

During **prolonged treatments**, you must aspirate a glass of water at least **every 60 minutes**.

3.2 Disinfection with a dry suction system



Daily during the noon break and at the end of each workday

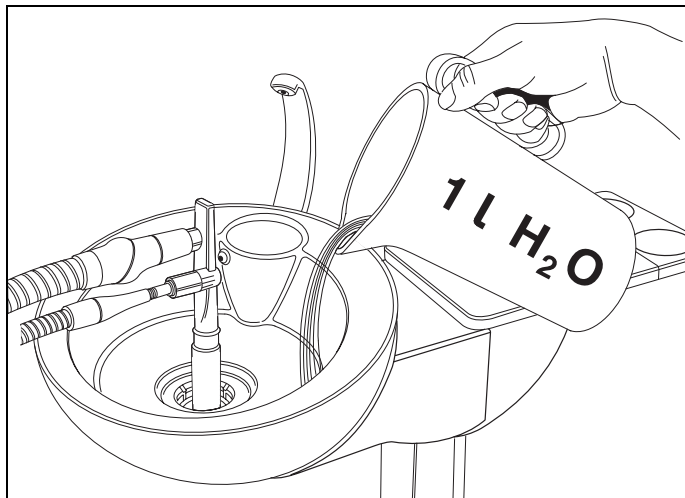
The vacuum system is subjected daily to septic secretions, saliva and blood. For hygienic reasons the system must therefore be disinfected with a detergent/disinfectant approved by Sirona.

⚠ CAUTION

Use only cleaning and disinfecting agents which have been approved by Sirona (see page 2, General information)!

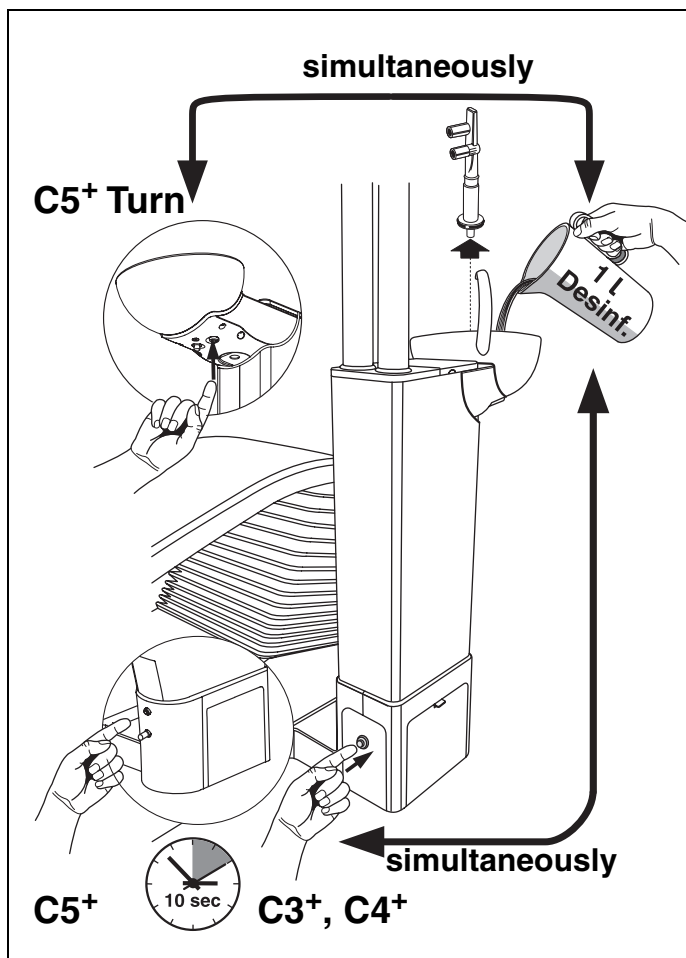
Do not use any washing powder or other disinfectants!

- Prepare the cleaning solution in a separate container according to the manufacturer's instructions and **mix thoroughly**.
- Remove the gold trap.
- Clean the cuspidor.
- Plug in the cleaning adapter up to the stop. For the saliva ejector hose, insert the intermediate piece (8) into the cleaning adapter.
- Fill the cleaning solution up to the filling limit (A) in the cuspidor (approx. 0.75 liters).
- Remove the suction hoses from their holders and attach them to the side of the cleaning adapter, if possible all at once.
- The cleaning solution is aspirated. Observe manufacturer's instructions regarding the reaction time!



- After the cleaning process, you must fill at least 1 liter of water into the cuspidor and aspirate it in order to remove any disinfectant residues from the suction hoses.
- At the end of the cleaning process, pull off the hoses and put them back into their holders.
- Remove the cleaning adapter.
- Finally, reinsert the gold trap.

3.3 Disinfection with a wet suction system



With this system, the automatic separator and, where appropriate, the amalgam separator are not integrated in the water unit. Both separation processes are performed centrally.

Daily during the noon break and at the end of each workday

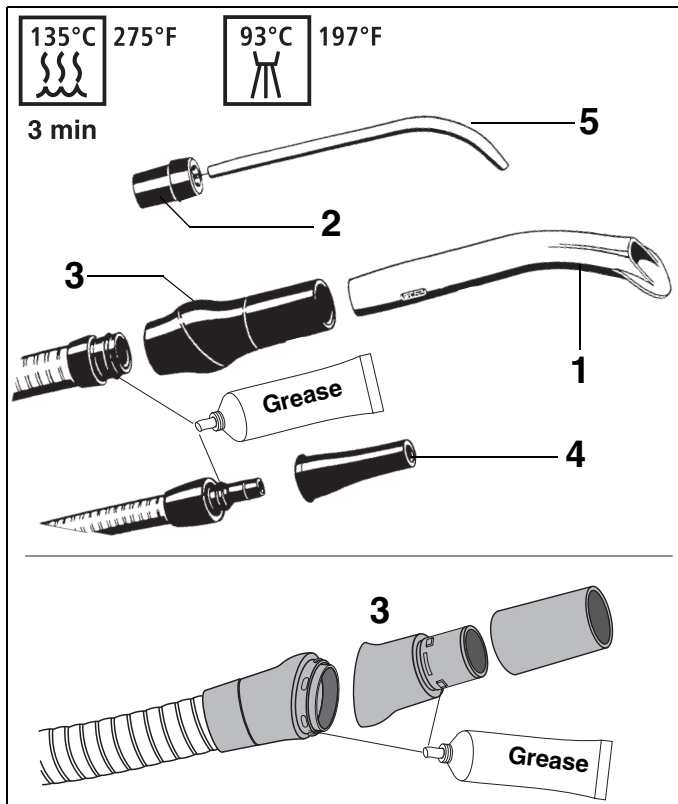
- Flush the vacuum system with a suitable cleaning and disinfecting agent as described under **3.2 Disinfection with a dry suction system**.
- After the liquid has been aspirated through the two suction hoses, remove the cleaning adapter.
- Then pour 1 liter of disinfectant solution into the cuspidor while **simultaneously** pressing the button (arrow) for approx. 10 seconds.
Pressing the button enables the cleaning and disinfectant liquid from the cuspidor to reach the vacuum line via the cuspidor valve.
- Finally, reinsert the gold trap.

⚠ CAUTION

Use only cleaning and disinfecting agents which have been approved by Sirona (see page 2, General information)!

Do not use any washing powder or other disinfectants!

3.4 Suction handpieces



Sterilization

The following parts can be sterilized:

- the suction cannula (1)
- the intermediate piece (2)
- the suction handpiece (3)
- the saliva ejector handpiece (4)
- and the surgical suction cannula (5)

Sterilization only in the autoclave at 135°C (275°F), 2.1 bar, 3min.

Thermodisinfection

All parts can be thermodisinfectied at 93°C (197°F).

Disinfection

All parts can be sprayed or wiped with a disinfecting solution.

CAUTION

Use only cleaning agents which have been approved by Sirona (see page 2, General information)!

Grease the O-rings at the joints afterwards!

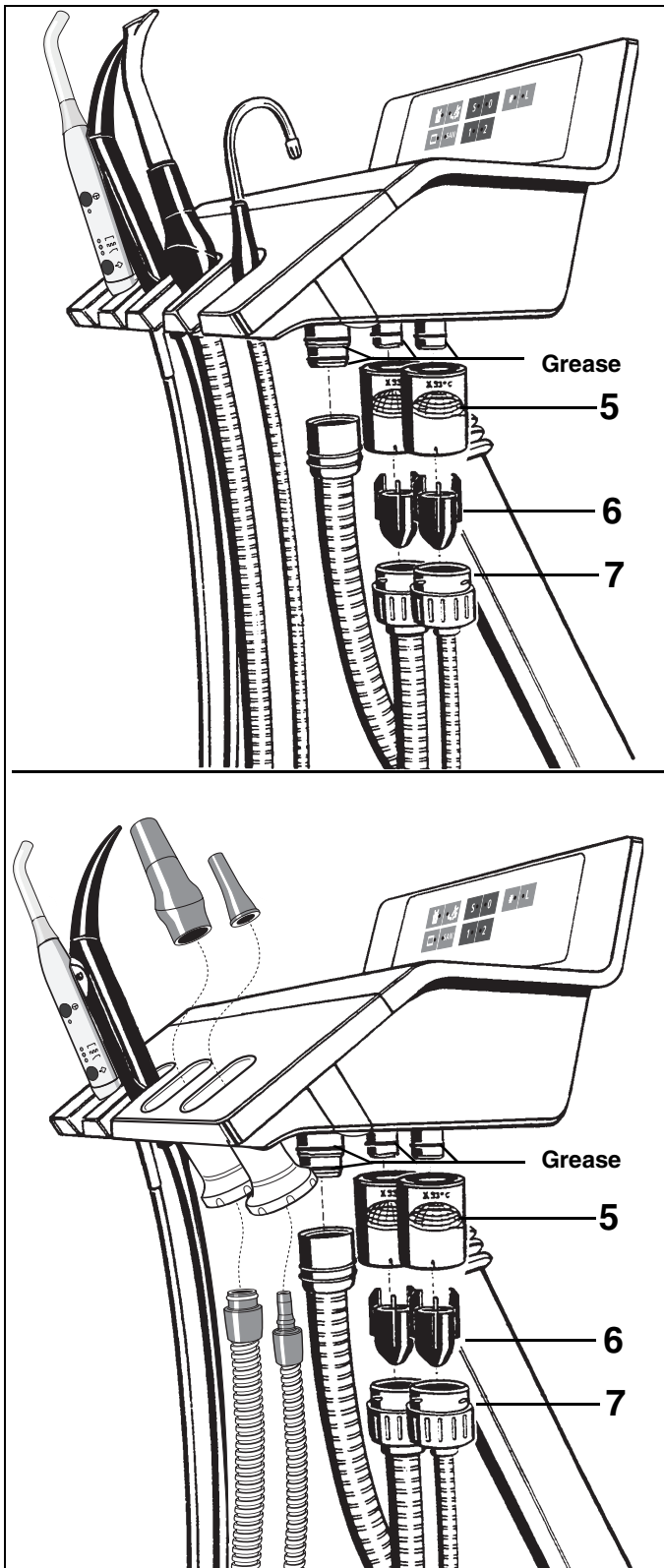
Weekly

Separate the suction handpiece at the joint, clean it and grease the joints.

CAUTION

Use only lubricants which have been approved by Sirona (see page 2, General information)!

3.5 Cleaning the suction hoses



The hoses of the saliva ejector and suction cannula as well as the connection hose to the water unit can be pulled off from the assistant element for rinsing under running water or thermodisinfection.

- Switch the treatment center OFF!
- Unscrew the suction hoses from the top parts (5) of the filter housings.
- Rinse the hoses under running water.

Thoroughly clean the top parts of the housings (5) with the **filter inserts every day**.

The top parts of the filter housings can be thermodisinfect.

Remove the amalgam residue **collectors** (6) from the lower parts (7) if the suction power decreases, otherwise **once a day**. Store the amalgam residues under water in a separate, closed container. When replacing the amalgam rotor (see page 12), put the residues into the rotor for disposal.

CAUTION

Do not dispose of amalgam residues in the cuspidor or the sink!

When the hose surfaces have become sticky from the disinfectants, wipe the hoses with a commercial dish-washing agent .

Before refitting the hoses, grease the O-rings on the connection pieces.

CAUTION

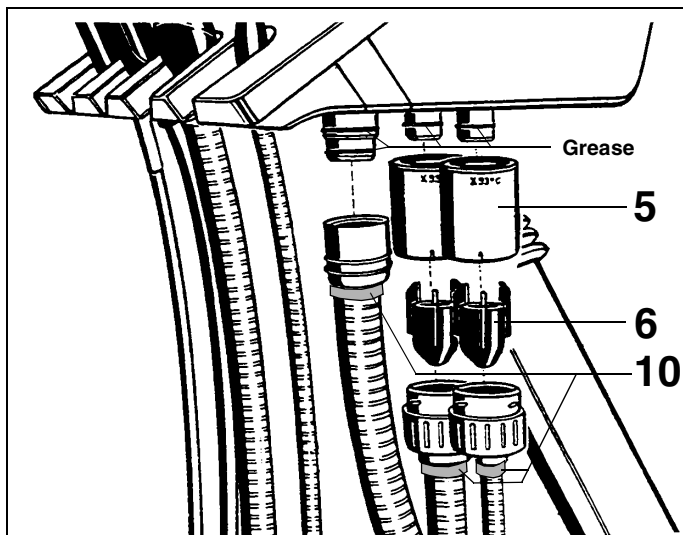
Use only lubricants which have been approved by Sirona (see page 2, General information)!

The hoses must engage firmly.

If the unit is equipped with a 3rd suction hose, clean it the same way.

If the suction hose and saliva ejector hose holders are closed at the front, the two handpieces must be pulled off first, so that the suction hoses can be removed downwards.

3.6 Thermodisinfecting the suction hoses



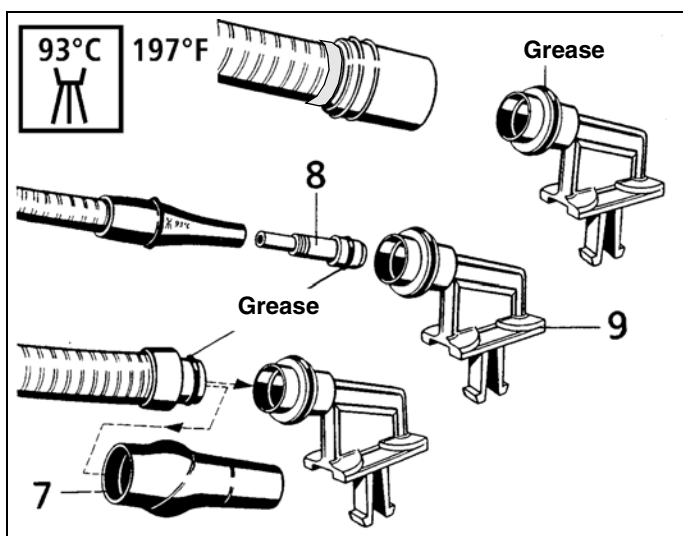
The unit is usually equipped with suction hoses that **cannot be thermodisinfect**.

However, it may have suction hoses that **can be thermodisinfect** as special accessories. These are marked in turquoise color (10).

⚠ CAUTION

Only hoses marked with a turquoise ring (10) can be thermodisinfect!

- Switch the treatment center **OFF**.
- Pull off the suction hoses and the connection hose from the assistant element and the water unit.
- Remove the top parts of the filter housings 5 and the amalgam residue collector 6.



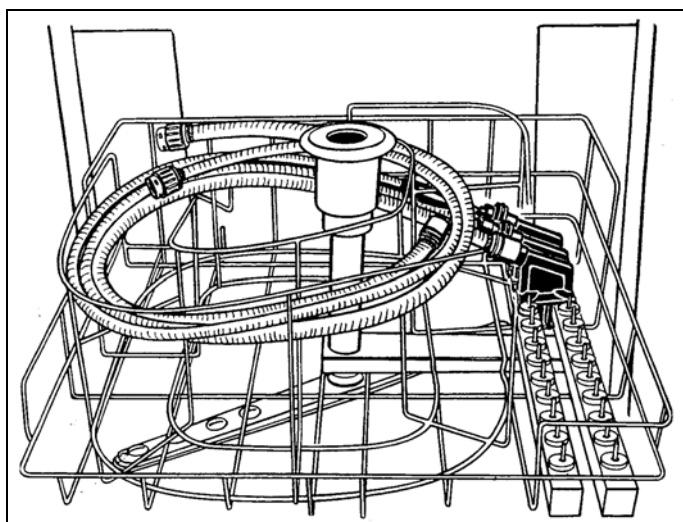
Pull off the handpiece (7) from the suction hose.

For the saliva ejector hose, insert the intermediate piece (8) in the hose holder (9).

Lubricate the O-rings.

⚠ CAUTION

Use only lubricants which have been approved by Sirona (see page 2, General information)!



Fit the hose holders onto the rails in the thermodisinfect (by Miele) as illustrated.

Connect the suction hoses to the hose holders and place them in the wire basket (by Miele) intended for thermodisinfection.

Thermodisinfect at max. 93°C (197°F).

Before refitting the hoses, grease the O-rings on the connection pieces.

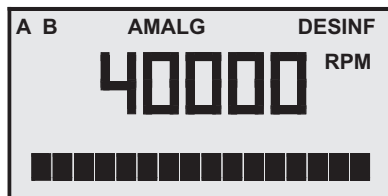
The hoses must engage firmly.

Hose holder for Miele thermodisinfect

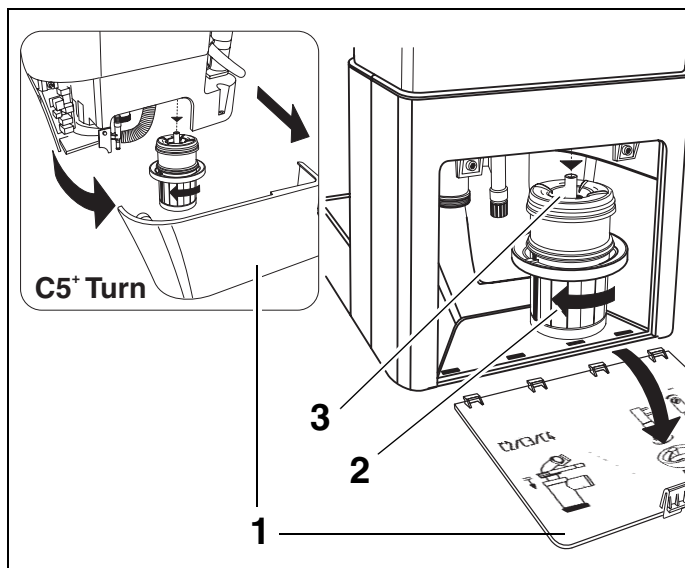
Order No. 89 18 757

4 Amalgam separation

4.1 Replacing the amalgam separator



When **AMALG** lights up on the display on the dentist element, the amalgam separator must be replaced.



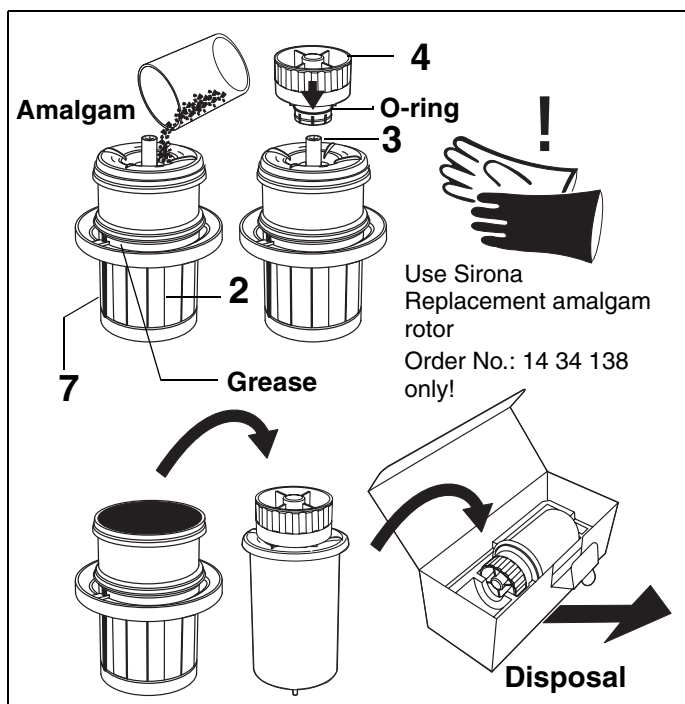
To replace the amalgam separator, proceed as follows:

- Perform a **disinfection** as described in chapter 3 “**Vacuum system**”.

i NOTICE

Always wear work gloves when performing these tasks!

- **Open flap (1)** at the base of the water unit.
Do NOT turn the unit off!
- **Turn the lower part (2) of the amalgam separator with rotor (3)** in the direction of the arrow until it can be removed easily.
- ☑ **AMALG starts flashing** on the dentist element display and an **audible signal** sounds.

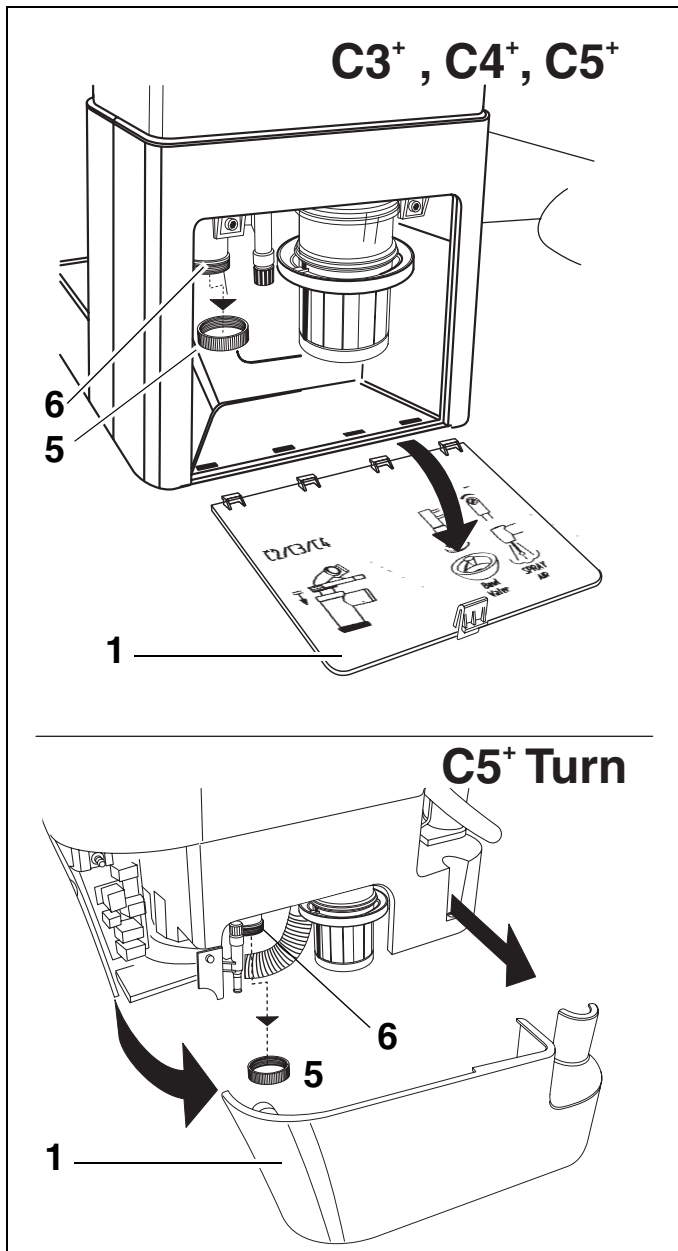


- Put any amalgam residues from the suction hoses and the cuspidor into the dismantled rotor for disposal (see pages 6 and 10).
- **Hold the bottom part upright and click on the transport cap (4)**. This releases a bonding agent. Therefore, **do not remove the transport cap again!**
- Remove the **rotor with the cap** from the lower part and place it in the special packaging for disposal.
- Insert the **new rotor (3)** in the lower part (2).
Do not install a used or recycled rotor!
- Reinstall the lower part and turn it in the opposite direction of the arrow **up to the stop**. The bar (7) should point to the chair at the start and to the siphon (6) after it is screwed tight.
- ☑ **If, after the rotor is inserted, AMALG still flashes** on the display and the **audible signal continues**, the lower part is not correctly locked into place.
- Close the **flap (1)** again.

i NOTICE

Regardless of whether **AMALG** lights up on the display or not, the rotor (3) in the amalgam separator must be replaced at least **once a year**. Otherwise unpleasant odors can develop.

4.2 Cleaning the siphon



i NOTICE

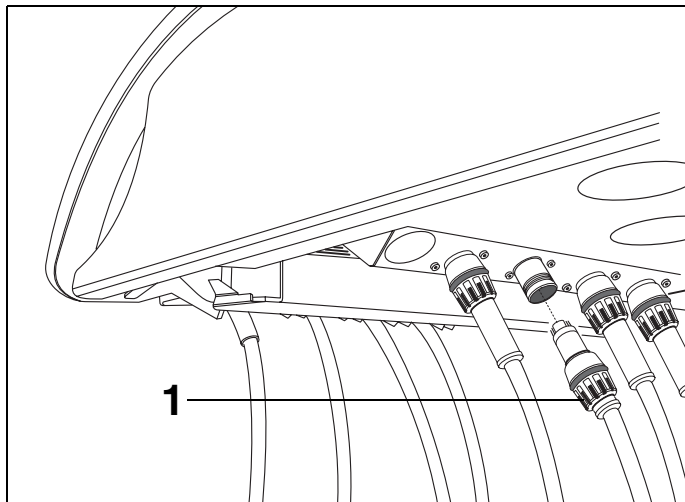
Always wear work gloves when performing these tasks!

Clean the siphon (6) in case of poor drainage of the cuspidor, otherwise **once a month**.

- Open flap (1) at the base of water the unit.
- Unscrew the cap (5).
- Have a collector ready to catch the contents!
- Screw the cap back on and close the flap (1).

5 Instrument hoses

5.1 Removal/Replacement of instrument hoses



Switch the unit OFF before removing the hoses!

C4+ and C5+:

Unscrew the cap nut (1) and then simply pull off the instrument supply hoses.

i NOTICE

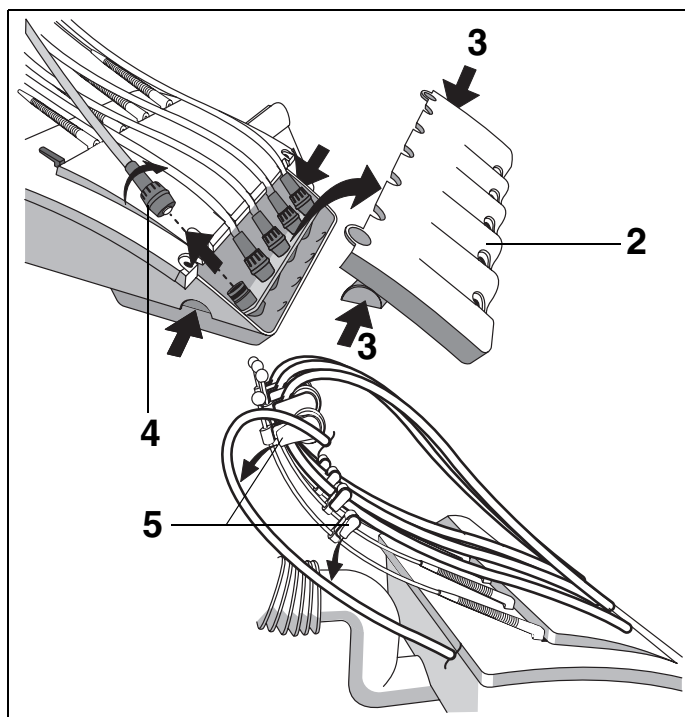
After replacement, make sure to equip all holders with the right instruments!

Possible equipment of the instrument holder at the right:

- Highspeed handpiece as 4th burr drive (only with upgrade kit) or
- SIROSONIC L or
- Satelec Mini L.E.D. curing light or
- SIROCAM 3 / SIROCAM C

Possible equipment of the second instrument holder from the right:

- SIROSONIC L or a
- 3rd burr drive (highspeed handpiece or motor) or
- Satelec Mini L.E.D. curing light.



C3+:

- Remove the instrument rack (2) by pressing the latches (3) on the side.
- Unscrew the cap nut (4).
- Press together the supply hoses at the guide rollers (5) of the swivel arms and push them out through the gap.
- Clean the hose surfaces with talcum powder so that they can glide back smoothly.

i NOTICE

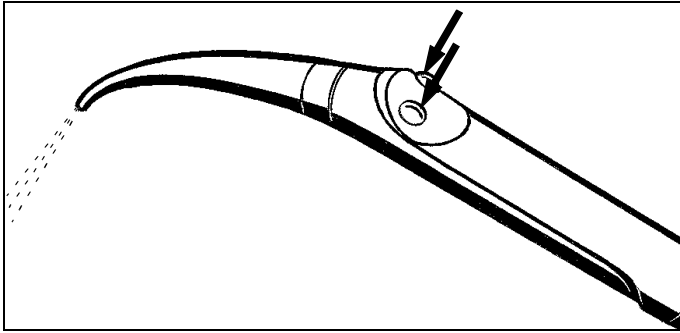
After replacement, make sure to equip all holders with the right instruments!

Possible equipment of the instrument holder at the right:

- SIROSONIC L or
- Satelec Mini L.E.D. curing light or
- SIROCAM 3 / SIROCAM C

Possible equipment of the second instrument holder from the right:

- SIROSONIC L or a
- 3rd burr drive (highspeed handpiece or motor) or
- Satelec Mini L.E.D. curing light.

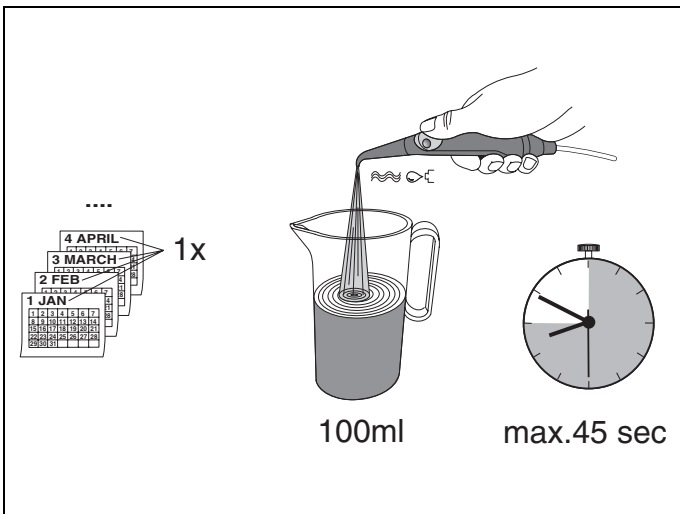


⚠ CAUTION
Risk of scalding! After replacement of the **SPRAYVIT hose**, no cooling water for the heating cartridge flows until the hose is completely filled. Boiling hot water may escape for a short while!

In order to prevent a hazard to the patient, proceed as follows:

- Briefly press buttons several times until water and air are available.

5.2 Checking the flow rate of the SPRAYVIT L



If the flow rate is less than 135 ml/min with the water button fully actuated, there is a risk of excessively hot water being emitted.

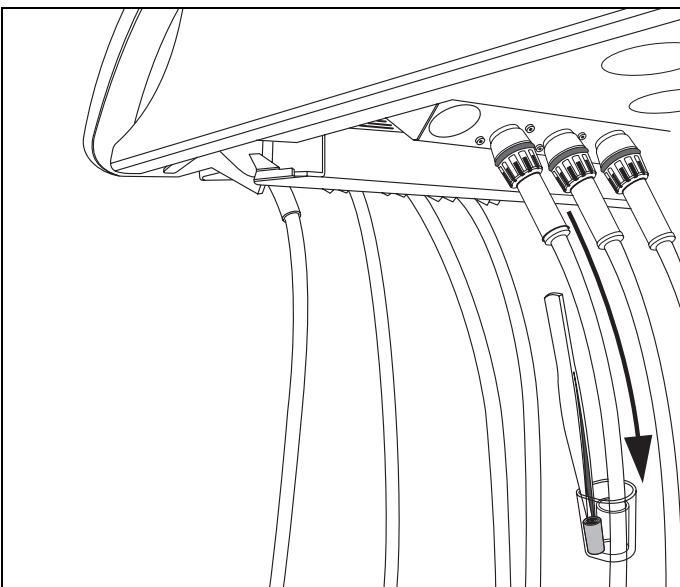
You should therefore perform the following measurement every 4 weeks to exclude a patient risk:

- Fill a measuring cup up to the 100 ml mark with the water button fully actuated.
- Stop the filling time.
- The filling time **must be less than 45 seconds**.

⚠ CAUTION
Risk of burning! The **SPRAYVIT L** must not be used on the patient if the filling time is longer than 45 seconds. In this case:

- Clean the Sprayvit nozzle according to the operating instructions or
- Have the dental unit checked by a service engineer.

5.3 Highspeed handpiece hose



For C4+ and C5+

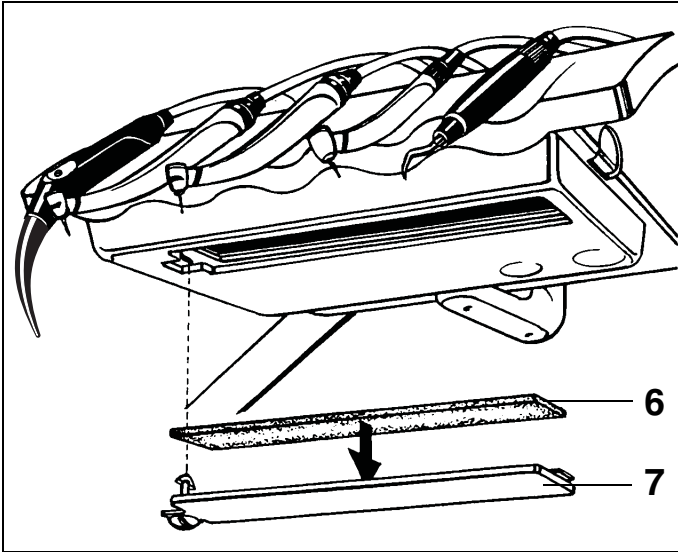
At the unit end of the highspeed handpiece hose, return air which carries a small amount of handpiece oil with it leaks out. This oil is absorbed by the cotton wool roll in the transparent collecting cup.

We recommend replacing the cotton wool roll **every week**.

To do so, push the cup down and remove the cotton wool roll.

Cut off a new cotton wool roll and place it in the cup.

Push the cup back into place.



For C3+

At the unit end of the highspeed handpiece hose, return air which carries a small amount of handpiece oil with it leaks out. This oil is absorbed by the oil absorber (6). Check it from time to time for oil saturation and replace it as required.

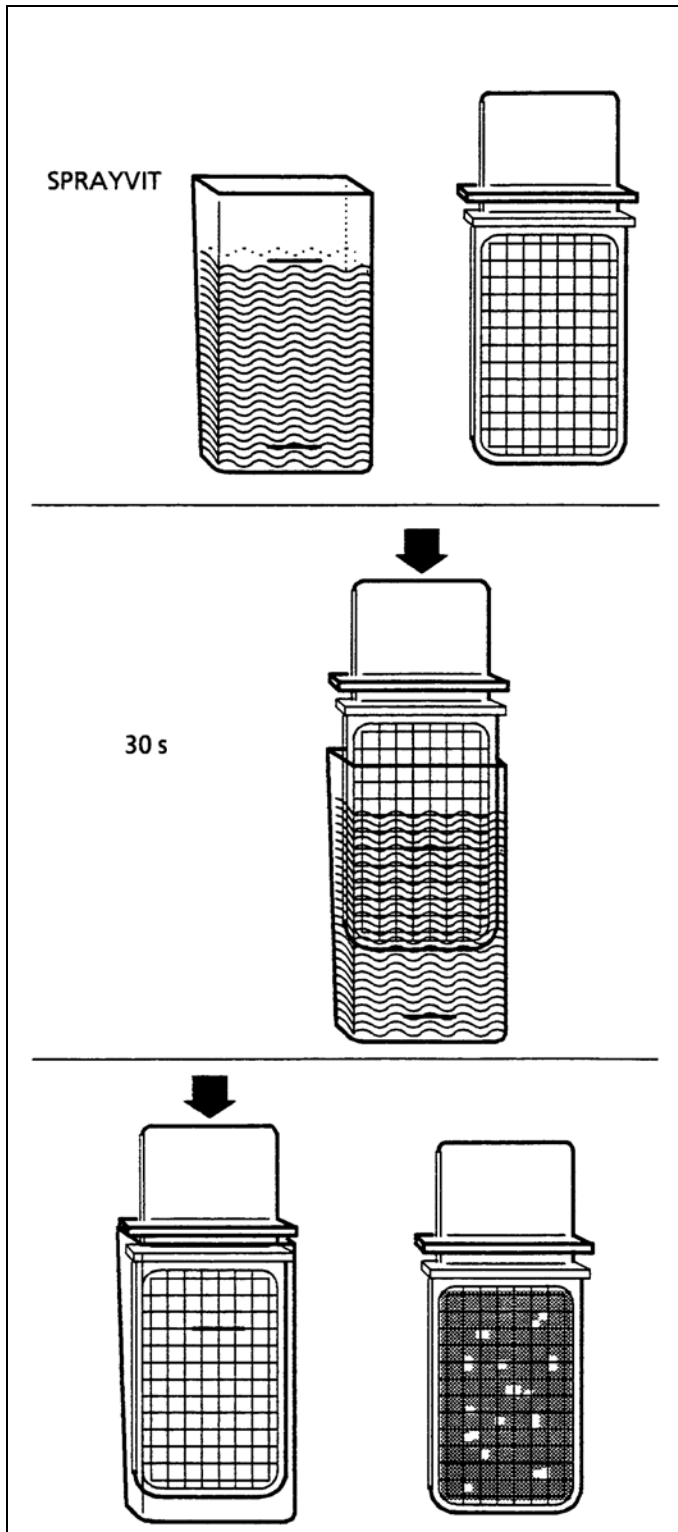
For this purpose open the lid (7) e.g. with a coin and remove it.

Oil absorber (20 pcs.)

Order No.: 54 33 201

6 Disinfection system

6.1 Microbiological water test



Must be performed after a working pause of more than one week. Use a "Total Count Tester" for this purpose. The first three testers will be supplied free of charge if you return the attached voucher.

Please indicate your address and the serial number of the chair (see "Installation Report / Warranty Passport").

Für Nachbestellungen:

Total Count Tester

Order No. 58 53 775

CAUTION

The "Total Count Tester" has a maximum durability of 1 year after its date of delivery.

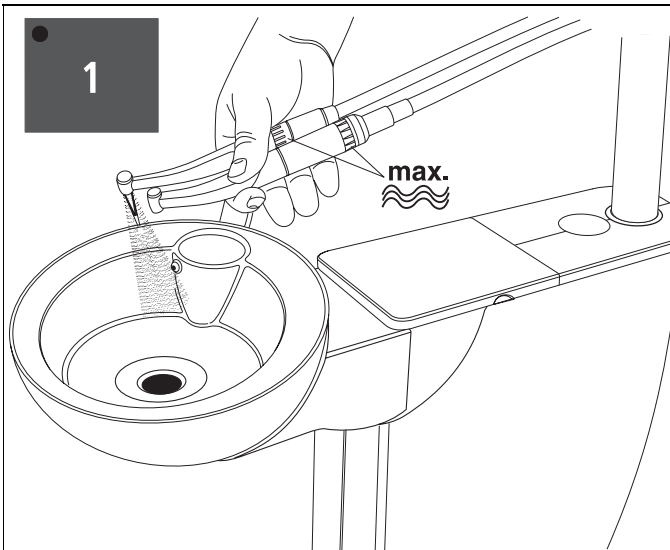
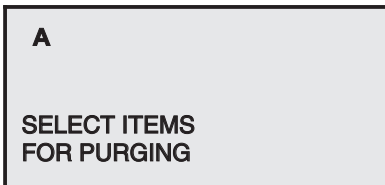
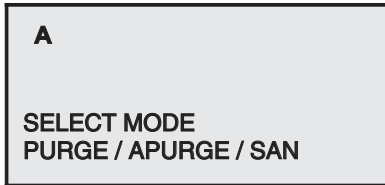
The cardboard disk contains a dehydrated nutrient medium. It is activated by the sample and serves as culture medium for a number of bacteria. The number of germs provides information on the hygienic condition of the water.

Performing the test

- Allow water to run out of the SPRAYVIT syringe for about 1 minute.
- Then take a water sample from this syringe. Fill in water up to the upper mark on the container. To neutralize the disinfecting agent of the water sample, add approx. 1.5 g of fixing salt (sodium thiosulfate). Do not touch the inside of the container or the part of the tester to be immersed.
- Immerse the tester in the filled container for 30 seconds. The cardboard disk with the nutrient medium will now absorb 1 ml of the water sample.
- Remove the tester and shake off the excess water. Empty the container completely.
- Place the tester into the empty container for incubation: Keep either for two days at room temperature or for 24 hours at a temperature of 35°C.
- Then count all germs found on the surface of the tester.

If the number of germs significantly exceeds 100, then sanitation is required (see section "6.3 Sanitation" on page 21).

6.2 Purge/Auto Purge function (purging the water paths)



PURGE function

(only for dentist element)

The purge function enables you to flush the water paths. To do this, press the **quick setting key 1** (> 3 s) when all instruments are in their holders.

You will be prompted to choose between **PURGE/ APURGE** and **SANITATION**¹.

Select **PURGE** with the **-** or **+** key. **PURGE** must flash.

On pressing **quick setting key 1** briefly (< 3 s), the following prompt appears if all instruments are deposited in their holders:

SELECT ITEMS FOR PURGING

Pick up the instruments you want to flush and hold them above the cuspidor.

The **maximum water flow** must be set on the instruments.

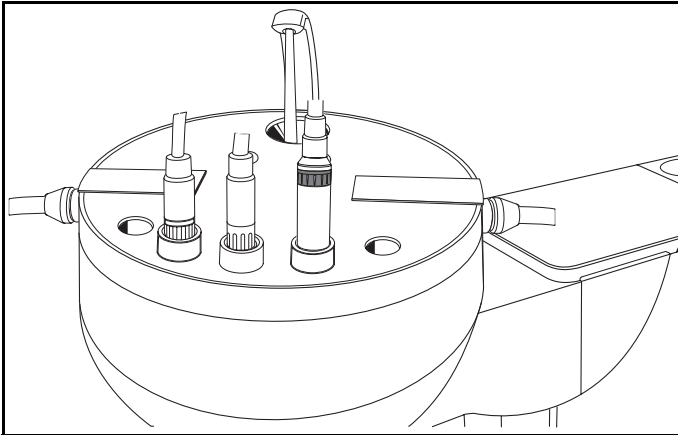
Press **quick setting key 1** again (< 3 s), the instruments are then purged one after the other.

The purging time in seconds set previously in the Mode dialog () runs down for each instrument individually.

An audible signal sounds after the last instrument has been flushed.

Finally place the instruments back in their holders.

1. The **SANITATION** function is described in the instructions "Care and Cleaning by the Practice Team".



Auto Purge (APURGE) function

The Auto Purge function offers possibility of automated purging of all water carrying instruments in the dentist element, of the assistant Sprayvit and of the tumbler filling unit.

All of the instruments inserted in the sanitation bowl will be purged when APURGE is activated. If the instruments remain in the sanitation bowl after the treatment center is switched off, the purging process will automatically be started again the next time the treatment center is switched on.

We recommend the APURGE function in the following cases:

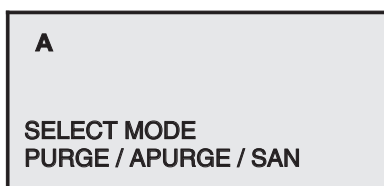
- APURGE function before starting and at the end of each workday:
A complete purge cycle is performed following activation. The instruments remain in the sanitation bowl and the treatment center can be switched off. On the next day, the APURGE function is automatically performed again on all of the instruments remaining in the sanitation bowl as well as on the tumbler filling unit immediately after the treatment center is switched on. Then you can prepare the treatment center for daily practice operation.
- APURGE function after longer periods of disuse:
A complete purge cycle is performed following activation. The instruments remain in the sanitation bowl and the treatment center can be switched off. Now you can switch on the treatment center briefly every day and then switch it off again after the purging process.

Setting the APURGE function

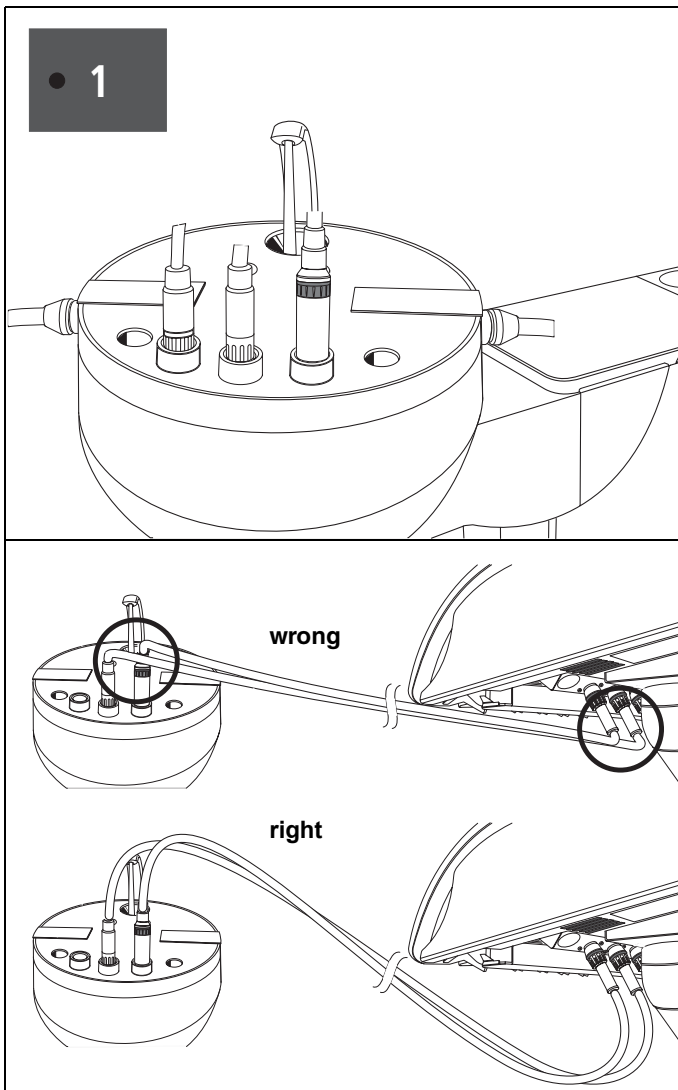
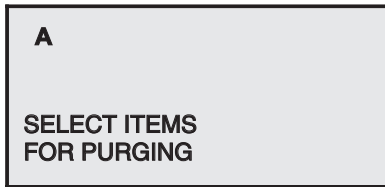
Activate the selection dialog box by pressing **quick setting key 1** (> 3 s) when all of the instruments are deposited in their holders.

You will be prompted to choose between **PURGE/ APURGE** and **SANITATION**¹.

Select **APURGE** with the **-** or **+** key. **APURGE** must flash.



1. The SANITATION function is described in the instructions "Care and Cleaning by the Practice Team".



On pressing **quick setting key 1** briefly (< 3 s), the following prompt appears if all instruments are deposited in their holders:

SELECT ITEMS FOR PURGING

Remove the instruments to be purged from the dentist and assistant elements and insert them in the adapters of the sanitation bowl as far as they will go.

⚠ CAUTION

Be careful not to snap off the instrument hoses when inserting the instruments.

The **maximum water flow** must be set on the instruments.

Press quick setting key 1 again (< 3 s); the instruments are then purged one after the other.

The purging time in seconds set previously in the Mode dialog (11.14) runs down for each instrument individually.

An audible signal sounds after the last instrument has been flushed.

You now can continue in either of the following ways:

- Leave the instruments in the sanitation bowl:
 - The instruments will automatically be purged as soon as the treatment center is switched on again. The treatment center can then be switched off again.
 - ↳ The APURGE function remains activated.
- The instruments are returned to their holders:
 - The treatment center can be prepared for daily practice operation.
 - ↳ The APURGE function is completed.

Canceling the APURGE function

The purging process can be canceled as follows

- Press **intensity key 1** for > 3 seconds
- or
- Place the instruments in their holders

6.3 Sanitation

Sanitation intervals

Perform sanitation every 4 weeks or whenever the germination index significantly exceeds 100 germs per ml (see section 6.1 “Microbiological water test”). This is the only way to combat the formation of bio-film in the water paths safely and effectively.

Special measures for additional devices

Special devices that are connected to the chair via the media block are treated with disinfected water with a higher hydrogen peroxide concentration (1.4%) during sanitation.

CAUTION

If the connected devices are not suitable for this higher sanitation concentration, Sirona recommends disconnecting them from the treatment center during sanitation and performing separate sanitation in accordance with the manufacturer's specifications.

Preparations

Preparation for sanitation takes approx. 10 minutes.

- If **DESINF** flashes on the dentist element display, fill 1 liter of **DENTOSEPT P** into the unit (see Operating Instructions).

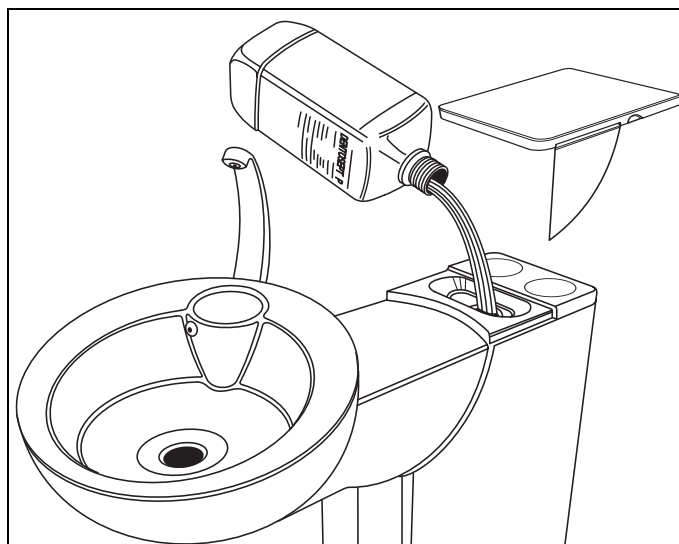
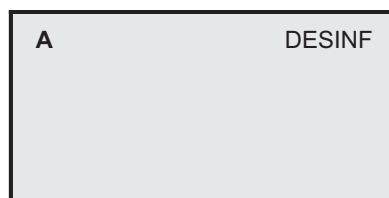
The flashing **DESINF** message then disappears.

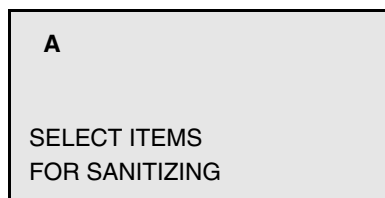
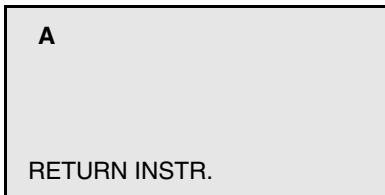
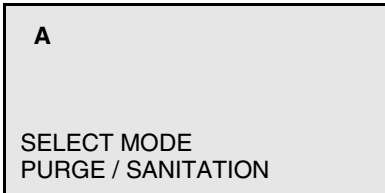
For reorders:

DENTOSEPT P 1 case = 6 x 1 liter,
Order No. 33 18 156

For Canada/Japan only: 1 case = 6 x 1 liter,
Order No. 59 69 535

- **Maximum water flow** must be set on all burr drives as well as on the SIROSONIC L. Check this before every sanitation procedure.
- All instruments and suction hoses must then be placed in their holders.





Sanitation

The sanitation process can be controlled either from the dentist or assistant element.

The instructions for the assistant element are indicated in parentheses.

- Press **intensity key 1** for > 3 s (assistant element: press **SAN** key for > 3 seconds).
- SELECT MODE** appears.
- Select **SAN** using the **- / +** keys.
- Confirm by briefly pressing **intensity key 1** (assistant element: briefly press the **SAN** key).
- The LED of the **SAN** key on the assistant element lights up.

i NOTICE

Activation is only possible if there is sufficient DENTO-SEPT P in the refill container and if all instruments are placed in their holders.

Error messages

If the instruments are not in place, the message **RETURN INSTR** appears. Check that the instruments are fitted firmly in their holders.

If there is not enough **DENTOSEPT P** in the refill container, the **DESINF** message flashes. Replenish the container.

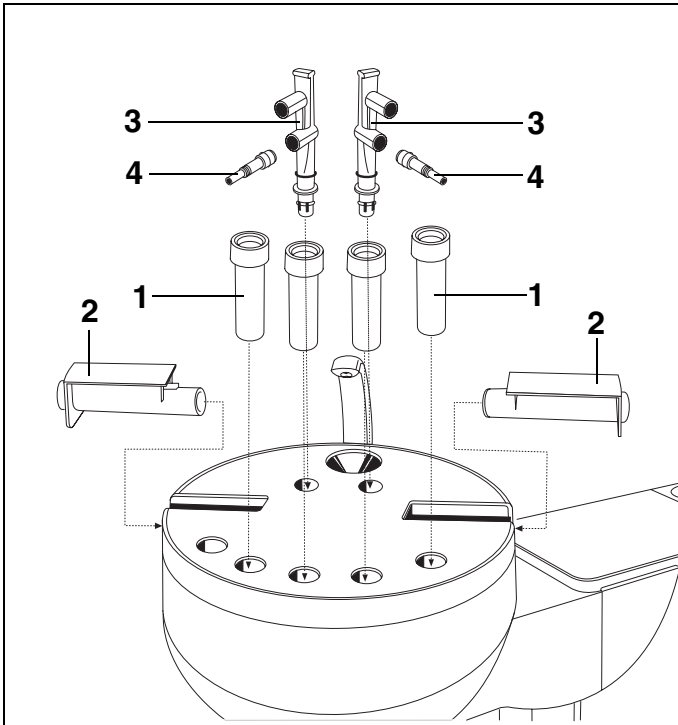
In both cases, an acoustic signal sounds five times in addition.

During the sanitation procedure, the display indicates the individual phases.

Sanitation phase 1:

- The following message appears on the display:

SELECT ITEMS FOR SANITIZING



- Place the sanitation bowl with cover on the cuspidor.

The sanitation bowl container must always be clean!

- Insert the cleaning adapters for the instrument couplings (1), SPRAYVIT valve bodies (2) and suction hoses (3) up to the stop in the sanitation bowl as illustrated.

The adapters for the instrument couplings are marked in the same colors as the hose couplings:

Instrument	Color
SL motor	green
Electric motors with interface acc. to ISO 3964, e.g. EL 1 motor	blue
Highspeed handpiece	white
SIROSONIC L	red

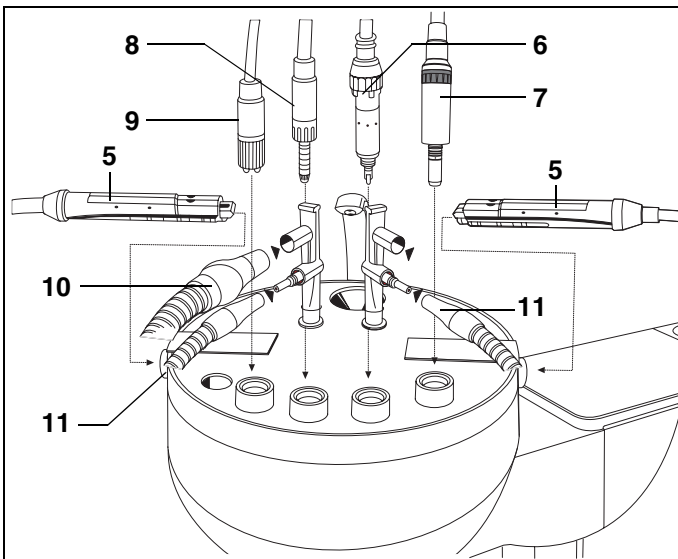
- For the saliva ejector hose, insert the intermediate piece (4) in the cleaning adapter.

i NOTICE

To prevent the hoses from twisting and stretching, the arrangement of the cleaning adapters from left to right should correspond to the arrangement of the instruments on the dentist element.

! CAUTION

Be careful not to snap off the instrument hoses when inserting the instruments.

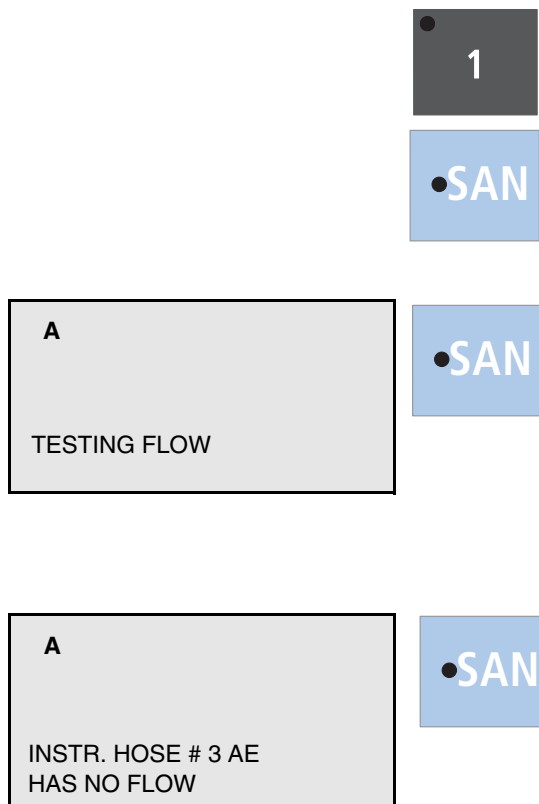


The water paths must always be sanitized without the treatment instruments attached!

- Pull the treatment instruments off the couplings and the SPRAYVIT sleeves off the valve bodies.
- Insert the SPRAYVIT hoses with the valve bodies (5) from the dentist element and assistant element up to the stop in the adapters on the right and left (valve lever facing up, locking button facing down).
- Insert the following couplings in the corresponding color-coded adapters up to the end stop or until they lock in place:
 - SL motors (6),
 - Electric motors with interface acc. to ISO 3964, e.g. EL 1 motor (7),
 - Highspeed handpiece (8) and
 - SIROSONIC L (9)

The color ring on the instrument hose is located on the cap nut.

- Pull off the suction nozzles.



- Attach the suction hose (10) and the saliva ejector hose and, if available, the 3rd suction hose (11) to the side of the cleaning adapter (3).

When the sanitation bowl is completely fitted, briefly press **intensity key 1** to initiate the sanitation process. (assistant element: briefly press the **SAN** key).

Sanitation phase 2:

First the program checks whether there is water flow at the instrument couplings.

- During this time, the **SAN** key on the assistant element flashes approx. once a second.

Any instruments that are not withdrawn or do not conduct any water are excluded from the sanitation process.

Error messages in sanitation phase 2

If there is no water flow, an acoustic signal sounds continuously and a message appears on the display to indicate which instrument has no water flow. The instrument number refers to the holders in ascending order from left to right.

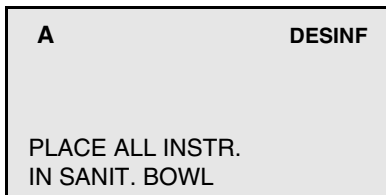
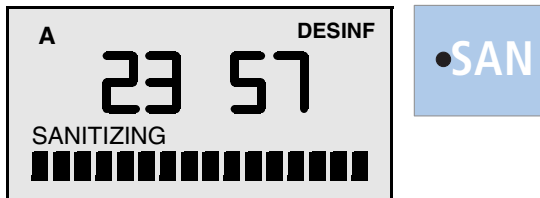
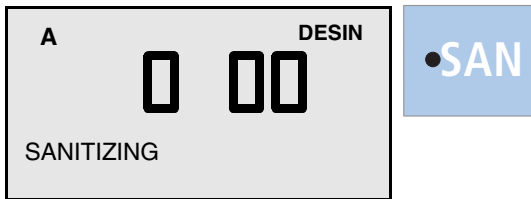
AE refers to the instrument holders on the dentist element and **HE** to those on the assistant element. The **SAN** key on the assistant element flashes approx. 4 times per second.

In this case open the water regulator of the corresponding instrument on the instrument coupling. Leave the corresponding instrument plugged into the adapter. As soon as the system detects that water is flowing, the sanitation process automatically continues.

However, if the acoustic signal sounds and you press **intensity key 1** briefly without opening the water regulator, the sanitation program continues without sanitizing the corresponding water path (assistant element: briefly press the **SAN** key).

Sanitation phase 3:

Then the water is pumped out of the water tank of the water unit via the tumbler filler.



Sanitation phase 4:

The water tank is automatically filled with DENTOSEPT P subsequently.

- The **SAN** key on the assistant element lights up.

This activates flushing of the instrument hoses, the SPRAYVIT hoses and the tumbler filler.

Sanitation phase 5:

- The remaining sanitation time now appears on the display, e.g. **23 hours** and **57 minutes**.
- Now the unit must be switched off for **at least 24 hours, but not longer than three days (max. sanitation time)**. Leave all instruments plugged into their adapters.

CAUTION

If you turned off the treatment center water and air supplies following sanitation phase 5, you must turn them on again before using the treatment center again – i.e. after 24 hours have expired. Switch the unit back on after this period. However, leave the instruments in the adapters of the sanitation bowl.

- Switch the treatment center back **ON** after the minimum sanitation time has expired and before the end of the maximum sanitation time has been reached.

If an instrument is erroneously returned to its holder, the following message appears:

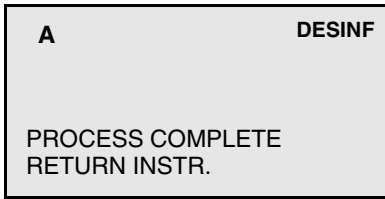
PLACE ALL INSTR. IN SANIT. BOWL. The sanitation program then automatically runs to its completion.

If you switch on the treatment center before the 24 hours have elapsed (the remaining time is then indicated on the display), you must briefly activate **intensity key 1** for > 3s after switching the unit on (assistant element: press **SAN** key for 3 seconds). Pressing the key means aborting sanitation (refer to section 6.3). The sanitation program then runs to its completion.

Sanitation phase 6:

The instrument hoses, SPRAYVIT hoses and the tumbler filler are flushed with water. This takes several minutes.

- During this time, the **SAN** key on the assistant element flashes.



As soon as the message

PROCESS COMPLETE RETURN INSTR.

appears on the display the instruments can be returned to their holders.

The unit is now ready for operation again.

i NOTICE

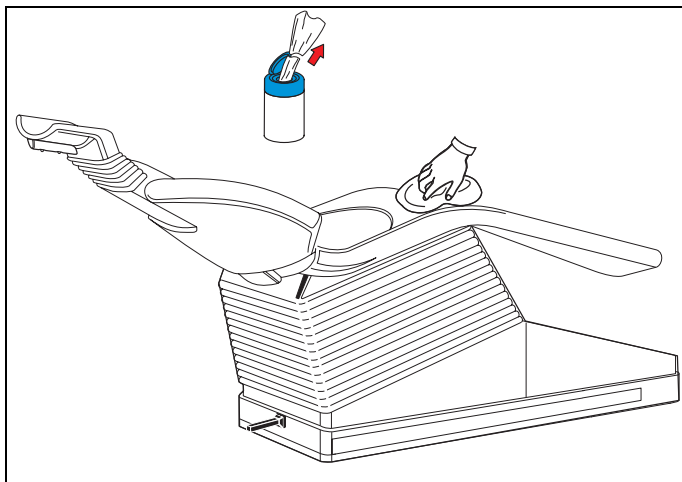
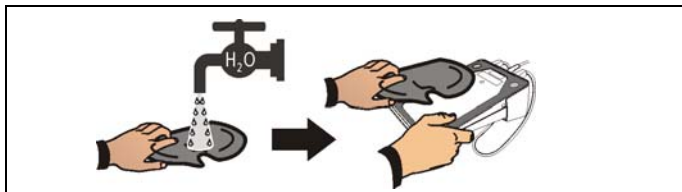
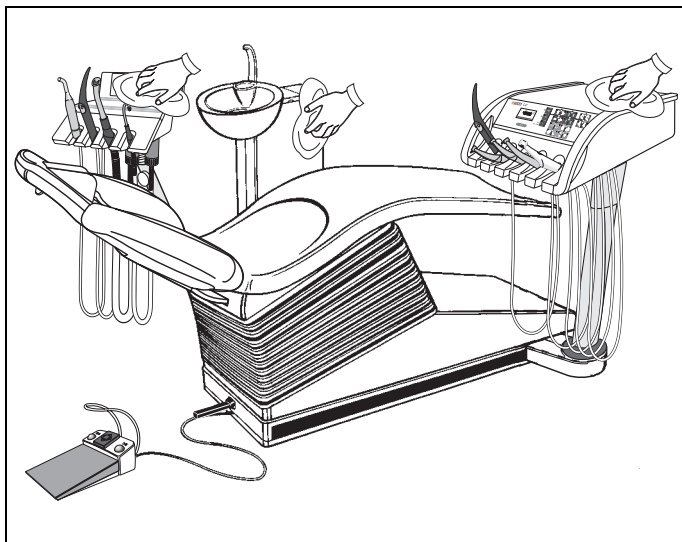
*If there is no assistant element on the water unit, no rinsing cycle occurs and it takes approx. 90 s until the message **PROCESS COMPLETE** appears.*

Aborting the sanitation process

The sanitation process can be aborted in all phases by pressing **intensity key 1** for > 3s (assistant element:press **SAN** key for 3 seconds).

Depending on the sanitation phase involved, sanitation stops immediately, or the hoses are flushed with water as described. Once the flushing process is complete and the instruments have been returned to their holders, the unit is ready for operation again.

7 Surfaces / O-rings



Protection against medicaments

Due to their high concentrations and the substances they contain, many medicaments can dissolve, etch, bleach or discolor surfaces.

The only way to prevent damage is to wipe off medicaments **immediately** with a damp cloth!

Disinfecting the surfaces

The surfaces can be spray and wipe disinfected with surface disinfectants.

⚠ CAUTION

Use only disinfectants which have been approved by Sirona (see page 2, General information)!

Cleaning the surfaces

Remove any dirt and disinfectant residues regularly using a mild commercial cleaning agent.

Do not use any **colored cloths** for cleaning, since they may cause discoloration of the unit surfaces, e.g. in combination with disinfectants!

Do not allow liquids to penetrate into the ventilation slots!

Pedal (foot switch)

Clean the bottom of the base plate using a damp cloth moistened in water.

Upholstery

Care and cleaning: Care and cleaning of the synthetic leather upholstery must be performed weekly. The cleaning agent also performs care simultaneously.

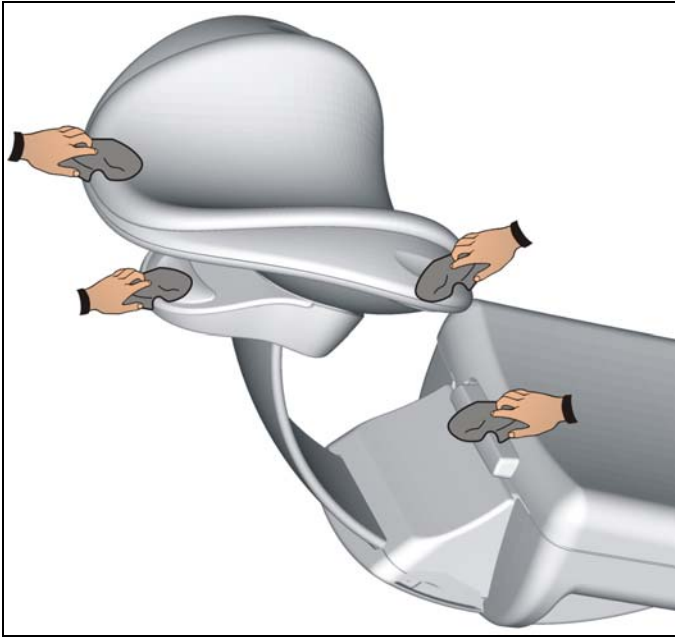
⚠ CAUTION

Use only cleaning agents which have been approved by Sirona (see page 2, General information)!

Disinfection:

⚠ CAUTION

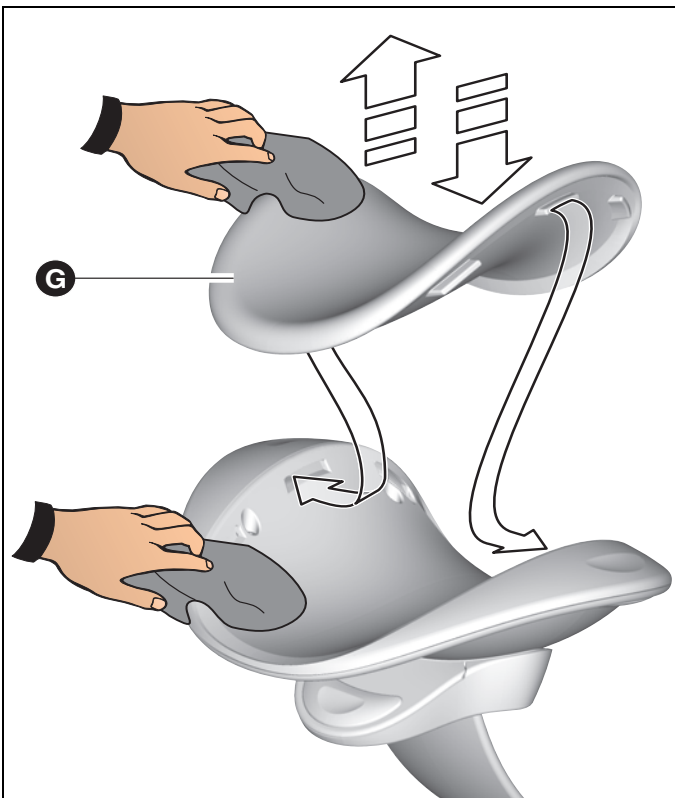
Use only disinfectants which have been approved by Sirona (see page 2, General information)!



Disinfecting the surfaces



The surfaces can be spray and wipe disinfected with surface disinfectants.



Intensive cleaning and disinfection of the head support

The contact surface of the headrest can be removed to facilitate intensive cleaning and disinfecting **if necessary**.



The surfaces can be spray and wipe disinfected with surface disinfectants.

- Press one side of head pad **G** inward from the outside (to unlock it) and remove it in an upward direction.

i NOTICE

Fast and frequent removal of the head pad from the front or rear can damage the snap-in noses.

- Clean and disinfect the head pad and headrest.
- Hook on the head pad again laterally.

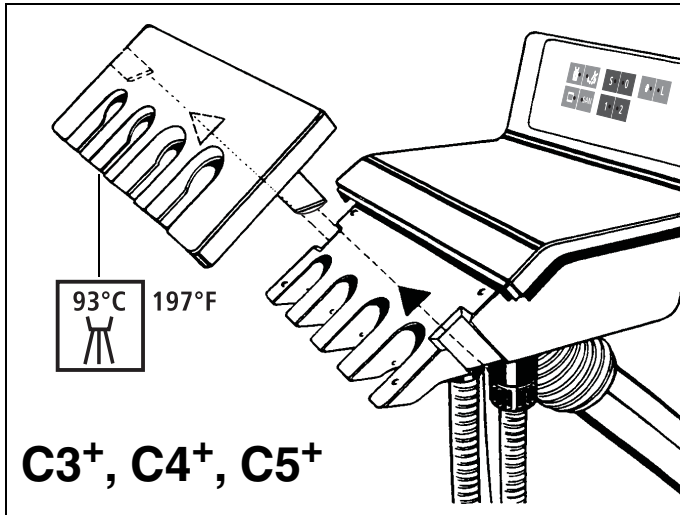
! CAUTION

Damaged pads, e.g. with scratched surfaces, must be replaced.

For reorders:

Contact surface:

REF 61 82 047



Dentist and assistant element

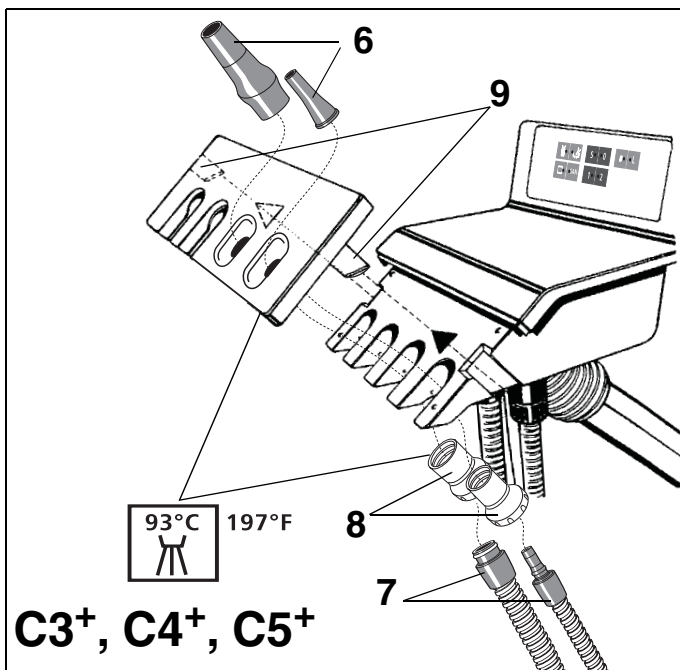
To facilitate cleaning or thermodisinfecting at 93°C (197°F), the instrument racks on the dentist and assistant elements can be removed.

⚠ CAUTION

Use only cleaning agents which have been approved by Sirona (see page 2, General information)!

Assistant element C3+, C4+, C5+:

The instrument rack can be removed after pulling the two tabs apart.



Assistant element C3+, C4+, C5+:

Removing an instrument rack with suction hose and saliva ejector hose holders that are closed at the front:

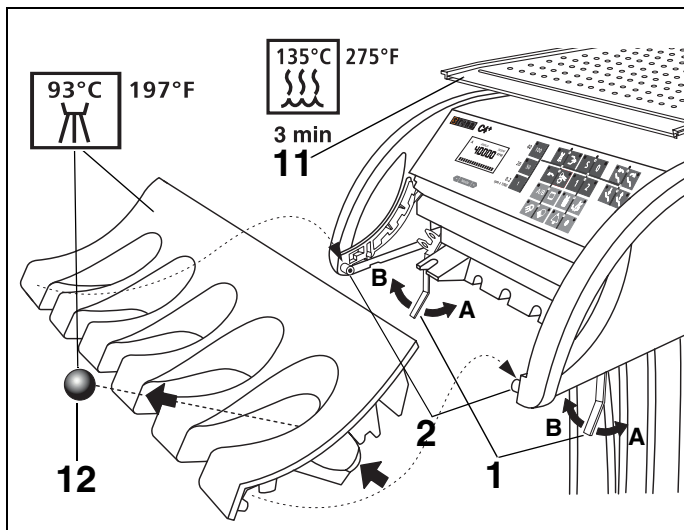
To do so, you must withdraw the two suction handpieces (6) and pull the suction hoses (7) downward first.

After unscrewing the two guide sleeves (8) and pulling the two tabs (9) apart, you can remove the instrument rack, e.g. for thermodisinfection.

The guide sleeves (8) and the instrument rack can be thermodisinfectied.

⚠ CAUTION

Use only cleaning agents which have been approved by Sirona (see page 2, General information)!

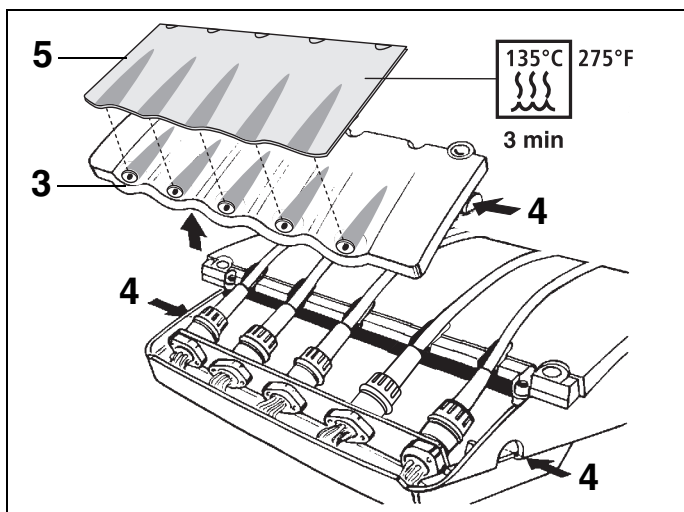


C4+, C5+ dentist elements:

The silicone mat (11) can be sterilized. To remove the instrument rack from the dentist element, swivel the two levers (1) towards **A**.

To refit the rack, first place the front recesses on the two bolts (2), press the rack on at the top and swivel the two levers (1) towards **B**. Finally, make sure that the rack is firmly seated.

If there is a ball stopper (12) fitted in an unused instrument holder, it can be pushed out of the holder from the rear for cleaning or thermodisinfection.



C3+ dentist element:

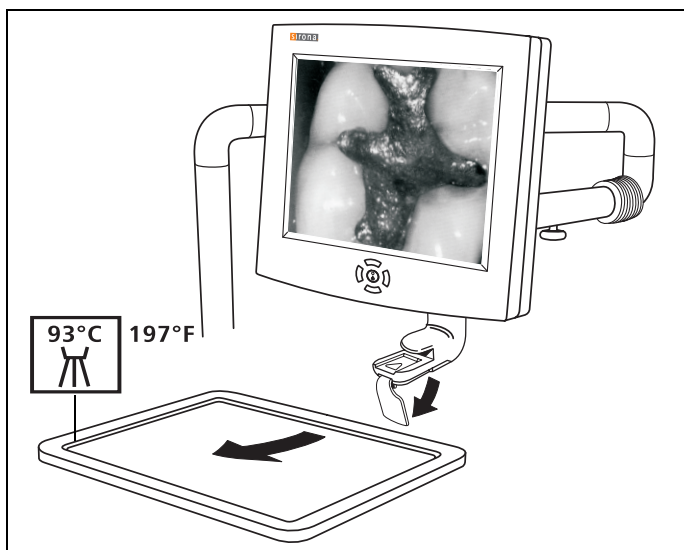
To remove the instrument rack (3) from the dentist element, press the two buttons (4) simultaneously.

CAUTION

The instrument rack (3) must not be thermally disinfected.

Use only spray or wipe disinfection!

The silicone mat (5) can be sterilized.

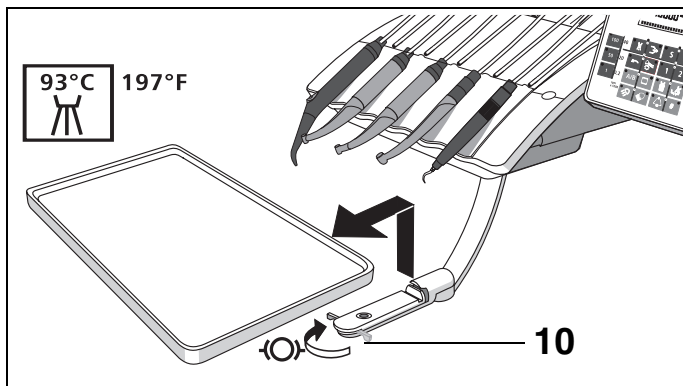


Tray C4+, C5+:

The instrument tray can be removed to facilitate cleaning or thermodisinfection at 93°C (197°F).

CAUTION

Use only cleaning agents which have been approved by Sirona (see page 2, General information)!



C3⁺ tray:

The swiveling instrument tray can be thermodisinfectated at 93°C (197°F).

To remove it swing the locking lever (10) in the direction of the arrow.

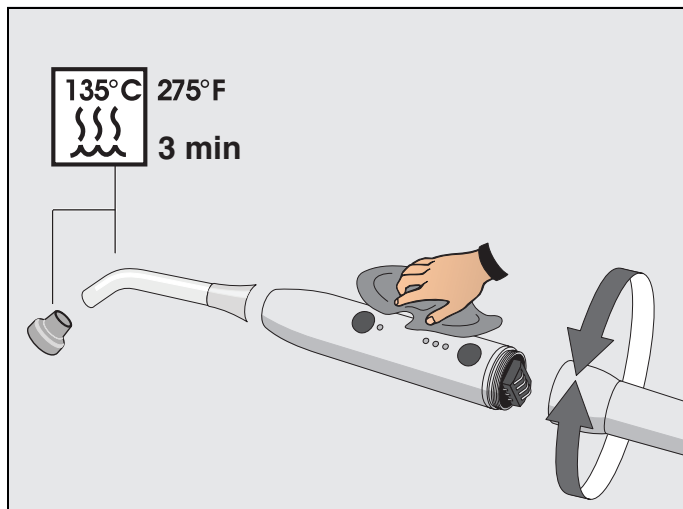
Care of the O-rings

- Use only approved lubricants (see page 2, General information)
- Do **not** use vaseline or silicone grease. They cause damage to the O-rings!

Turn
8

Satelec Mini L.E.D. curing light

8.1 Care and cleaning of the handpiece and the connecting cable



The **Mini L.E.D.** and its accessories can be cleaned and disinfected with cleaning and disinfecting agents that are recommended by Sirona.

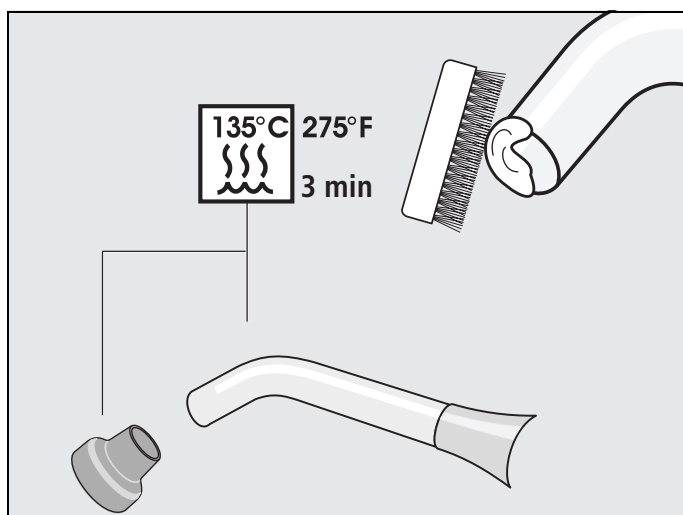
⚠ CAUTION

Use only cleaning and disinfecting agents which have been approved by Sirona (see page 2, General information)!

The connecting cable at the end of the handpiece can be removed by turning it (see illustration below).

The **Mini L.E.D.** can be installed in holder 1 of the assistant element (C3⁺ to C5⁺) and in holder 4 or 5 of the dentist element (C4⁺, C5⁺, C5⁺ Turn only).

8.2 Care and cleaning of the light guide and the glare shield



Clean and sterilize the light guide and the glare shield before every patient treatment (135 °C; 2bar; 3 min).

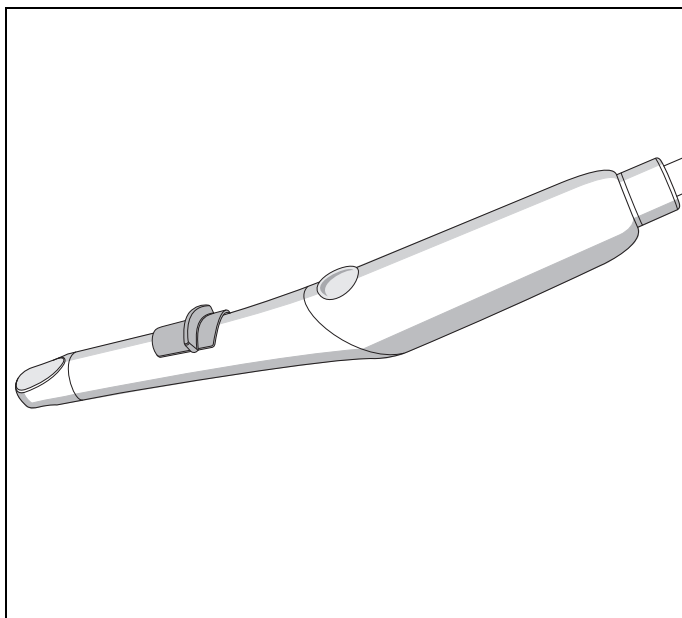
Check the light guide after each use.

- There should be no traces of composite material on the light guide.
- Immediately remove any residue.
- Make sure that the light guide is in perfect condition.
- If you find any damage, immediately remove the light guide, since damage will have a significant impact on its performance.

Always use the glare shield to protect your eyes.

9 SIROCAM 3 / SIROCAM C video camera and monitor

9.1 Care and cleaning of the SIROCAM 3



The ergonomically shaped titanium sleeve of the camera has only few joints. Its shape takes hygienic requirements into account and has no spots that are difficult to reach.

Cleaning

Remove any dirt and disinfectant residues **regularly** using a mild commercial cleaning agent.

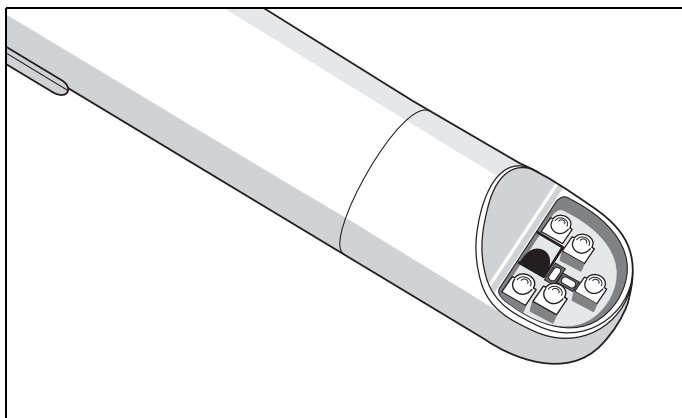
Do not use any colored cloths for cleaning, since they may cause discoloration of the surfaces, e.g. in combination with disinfectants!

Disinfecting

The camera can be disinfected by wiping.

CAUTION

Use only cleaning agents which have been approved by Sirona (see page 2, General information)!



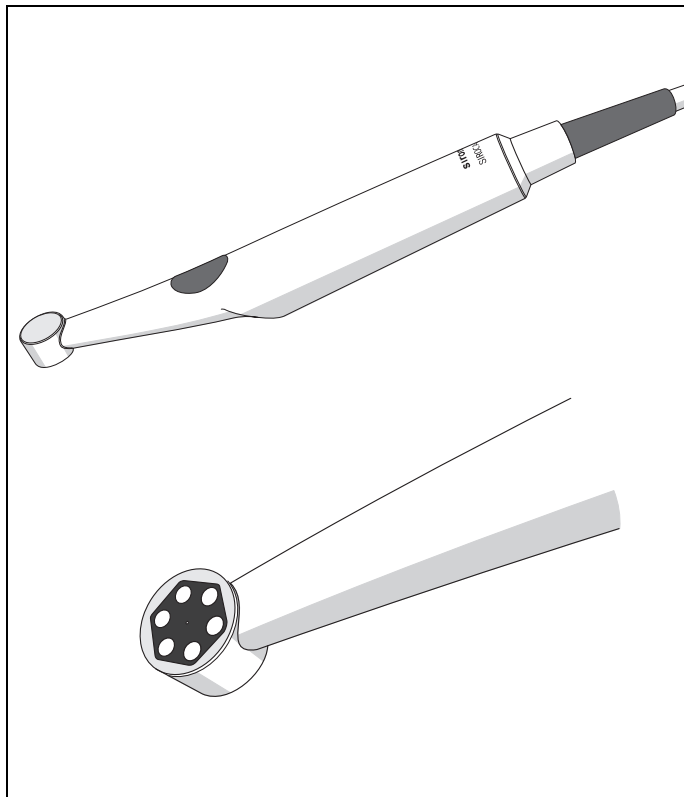
Protect the lens window against scratching and clean it with a lint-free soft cloth.

CAUTION

The camera handpiece with the cable CANNOT be sterilized or thermidisinfected!

The camera MUST NOT be sprayed or dipped in liquids!

9.2 Care and cleaning of the SIROCAM C



Cleaning

Remove any dirt and disinfectant residues **regularly** using a mild commercial cleaning agent.

Do not use any colored cloths for cleaning, since they may cause discoloration of the surfaces, e.g. in combination with disinfectants!

Disinfecting

CAUTION

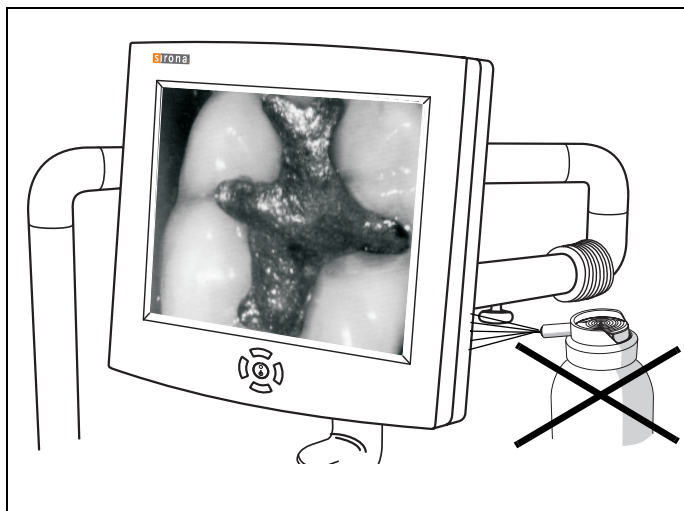
Use only cleaning agents which have been approved by Sirona (see page 2, General information)!

Wipe the SIROCAM C with a soft cloth.

CAUTION

*The camera handpiece with the cable CANNOT be sterilized or thermosdisinfected!
The camera MUST NOT be sprayed or dipped in alcohol!*

9.3 Care and cleaning of the monitor



Cleaning

Remove any dirt and disinfectant residues **regularly** using a mild commercial cleaning agent.

Do not use any colored cloths for cleaning, since they may cause discoloration of the surfaces, e.g. in combination with disinfectants!

Disinfecting

The glass screen and housing of the monitor can be disinfected by wiping them with a soft cloth.

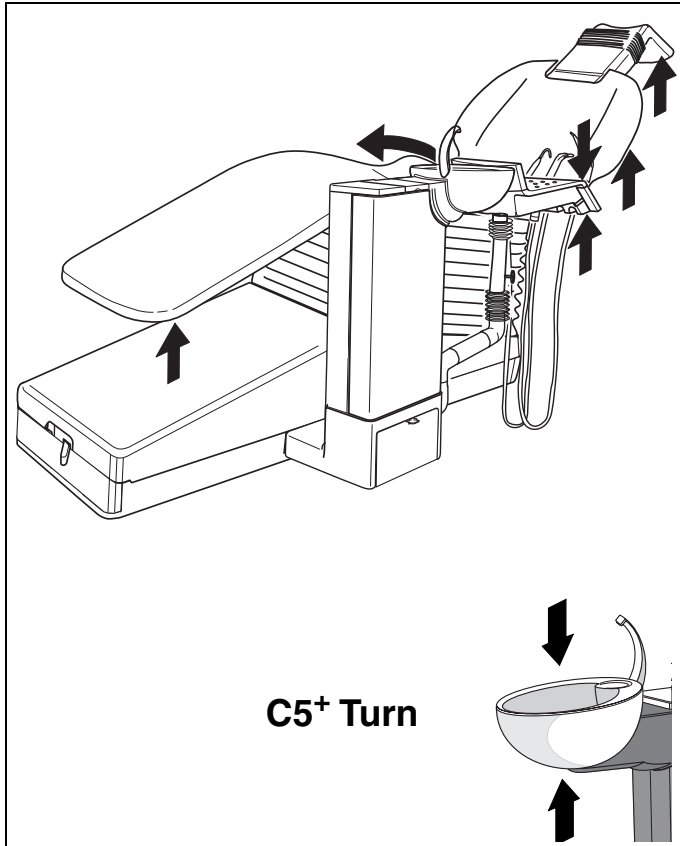
CAUTION

Use only cleaning agents which have been approved by Sirona (see page 2, General information)!

CAUTION

Never spray the monitor with a disinfecting or cleaning agent!

10 Checking the safety switches



To ensure the safety of the practice team and the patients, please check the safety switches installed in the unit **every 6 months**.

Move the chair or the backrest down for this purpose.

- **Lift the leg support:**
The chair movement stops, then there is a corrective movement upwards for about 3s.
- **Lift the backrest:**
The backrest movement stops, then there is a corrective movement upwards for about 3s.
- **Lift the motor-driven headrest (option):**
The backrest movement stops, then there is a corrective movement upwards for about 3s.
- **Lift the assistant element:**
The chair movement stops.
- **Press strongly on the assistant element:**
The chair movement stops.
- **Swing in the swiveling cuspidor (option):**
The chair movement stops.
- Only for C5+ Turn: **Lift the cuspidor:**
The chair movement stops.
- Only for C5+ Turn: **Press down the cuspidor:**
The chair movement stops.

! CAUTION

*If one of the safety switches does not stop the chair or backrest movement, the treatment center must not be used for dental work!
Please contact your service engineer.*

We reserve the right to make any alterations which may be required due to technical improvements.

© Sirona Dental Systems GmbH 2001-2007
D 3382.103.01.10.02 05.2007

Sprache: englisch
Ä.-Nr.: 108 389

Printed in Germany
Imprimé en Allemagne

Sirona Dental Systems GmbH

Fabrikstrasse 31
64625 Bensheim
Germany
www.sirona.com

In the USA:

Sirona Dental Systems LLC
4835 Sirona Drive, Suite 100
Charlotte, NC 28273
USA

In Canada:

Sirona Canada
3250 Ridgeway Drive - Unit 5
Mississauga, Ontario L5L 5Y6
Canada

Order No. **59 06 453 D 3382**